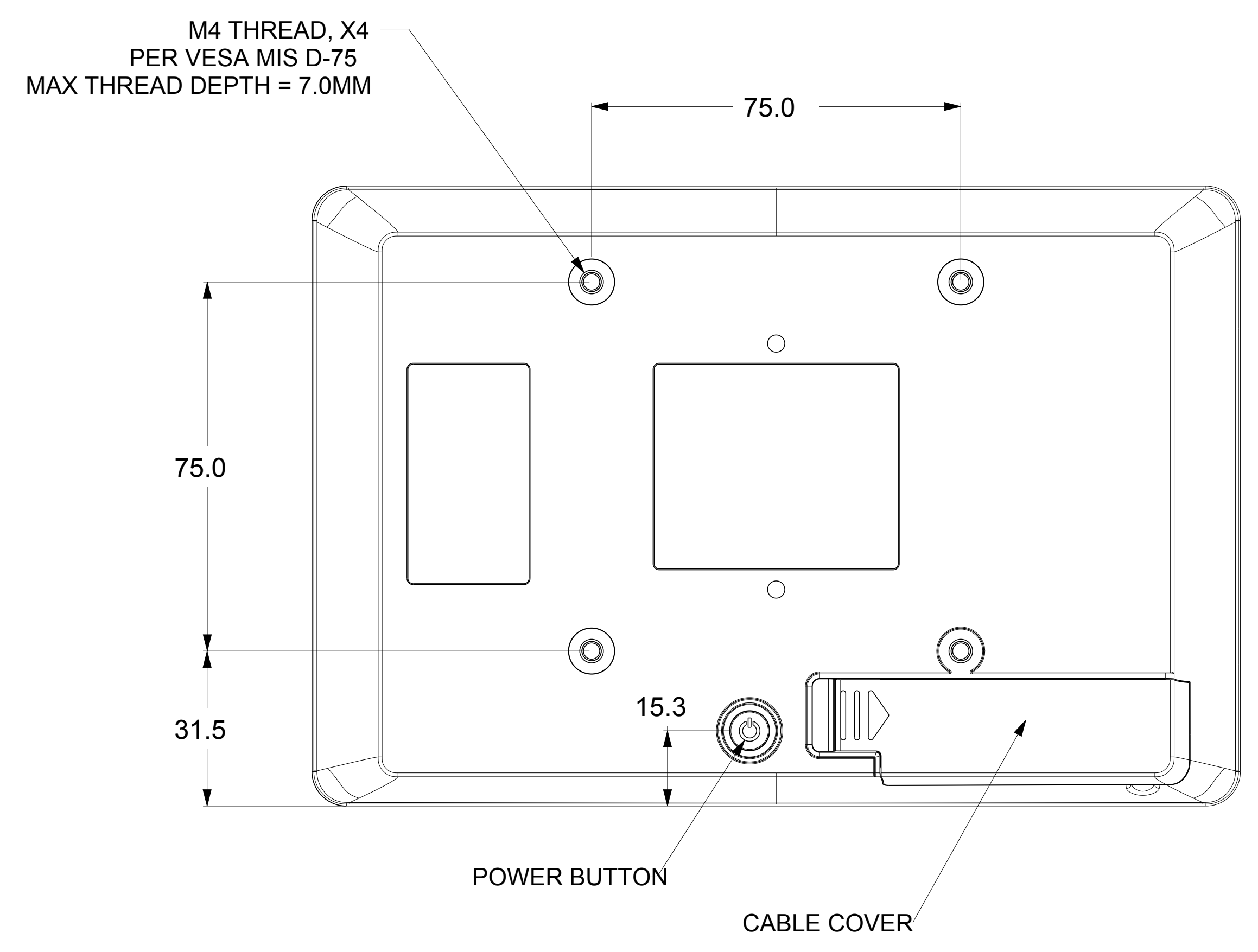
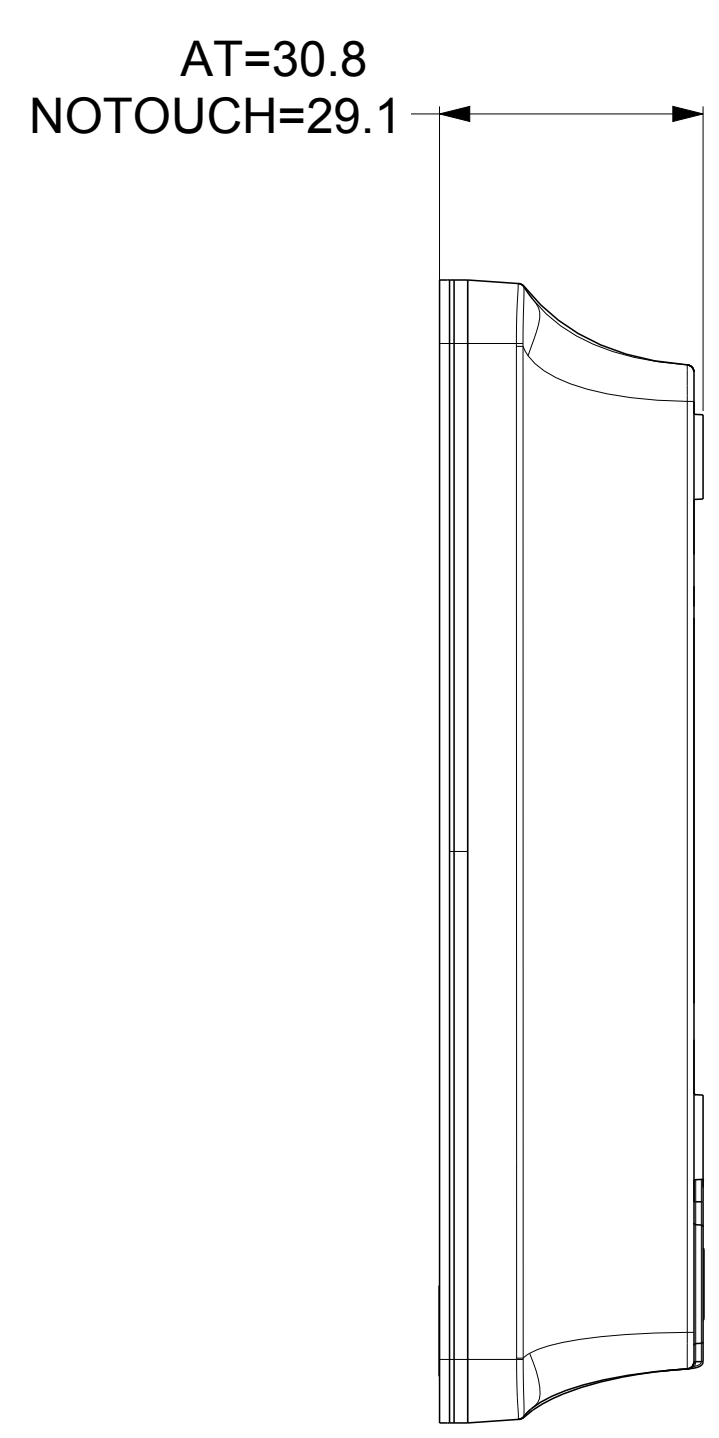
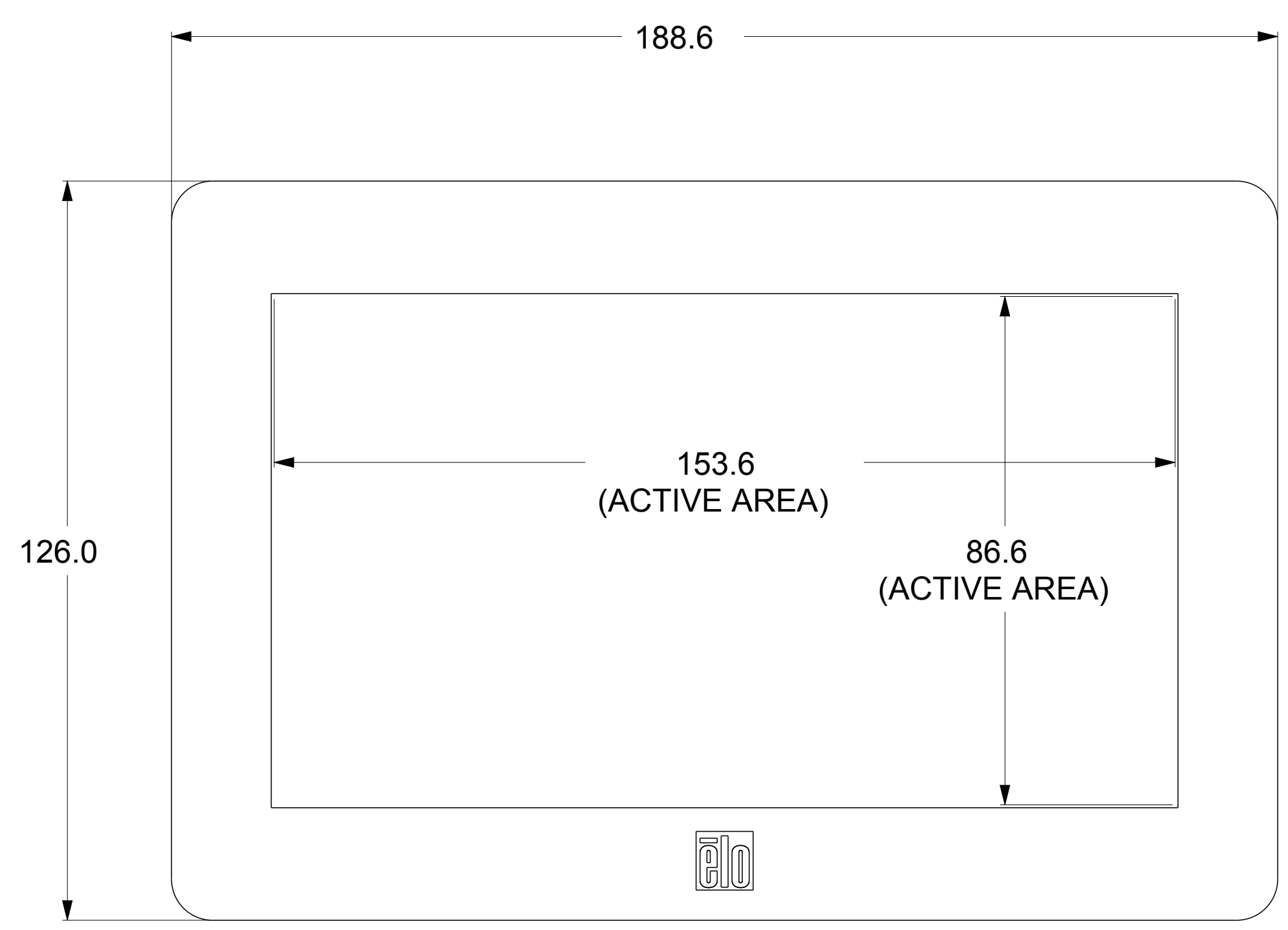
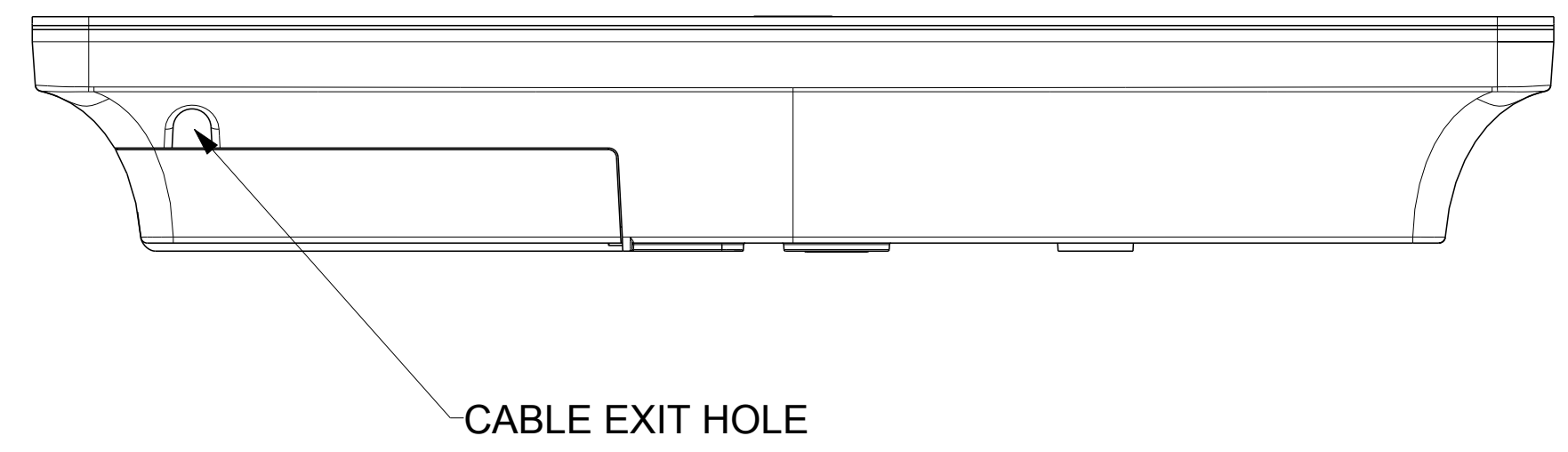


PROPRIETARY TO ELO TOUCH SOLUTIONS, INC. AND SHALL NOT BE DISCLOSED OTHER THAN TO NECESSARY EMPLOYEES OR SUPPLIERS WITHOUT THE EXPRESS WRITTEN CONSENT OF ELO TOUCH SOLUTIONS INC.

REVISIONS					
REV	ZONE	BY	DESCRIPTION	DATE	APPROVED
A	--	KJN	INITIAL RELEASE		
D	--	DI	REVISED PER ECO-12-014540 ELO TITLE BLOCK WAS TE	08/31/12	



-ET0700L SERIES-
SCALE 1.2



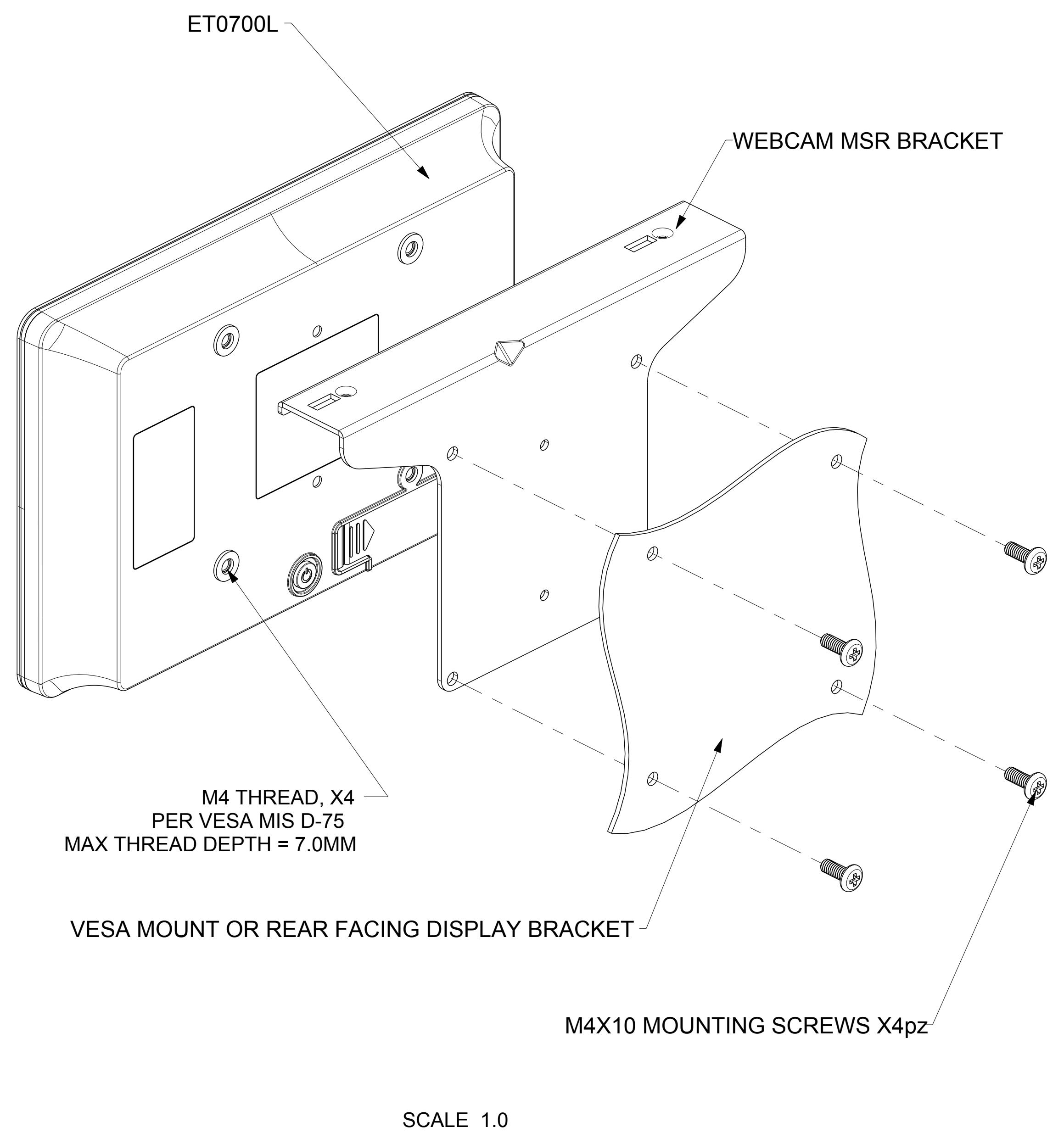
ITEM NO.	QTY REQ'D	DRAWING OR PART NO.	DESCRIPTION	MATERIAL SPECIFICATION
PARTS LIST				
PART. NO.		UNLESS OTHERWISE SPECIFIED ALL DIMENSIONS ARE IN MILLIMETERS	DRAWN KEN NORTH	DATE 00.00.00
METRIC		TOLERANCES ARE:	CHECK	DATE
DO NOT SCALE DRAWING		DECIMALS ±1/2"	DESIGN	DATE
		ANGLES ±1/32"	KEN NORTH	00.00.00
		X ±: 0.50	THIRD ANGLE PROJECTION	
		X ±: 0.25		
		XX ±: 0.13		
Pro/E prt/asm: 7_TLA_NEW_APR_MSR.PRT		SIZE		SCALE
Pro/E drw: MS601103_REV.DRW		D		0.250
		SHEET		DWG. NO.
		1 OF 2		MS601103
		REV		D

SHT. 1 OF 2 REV D MS601103

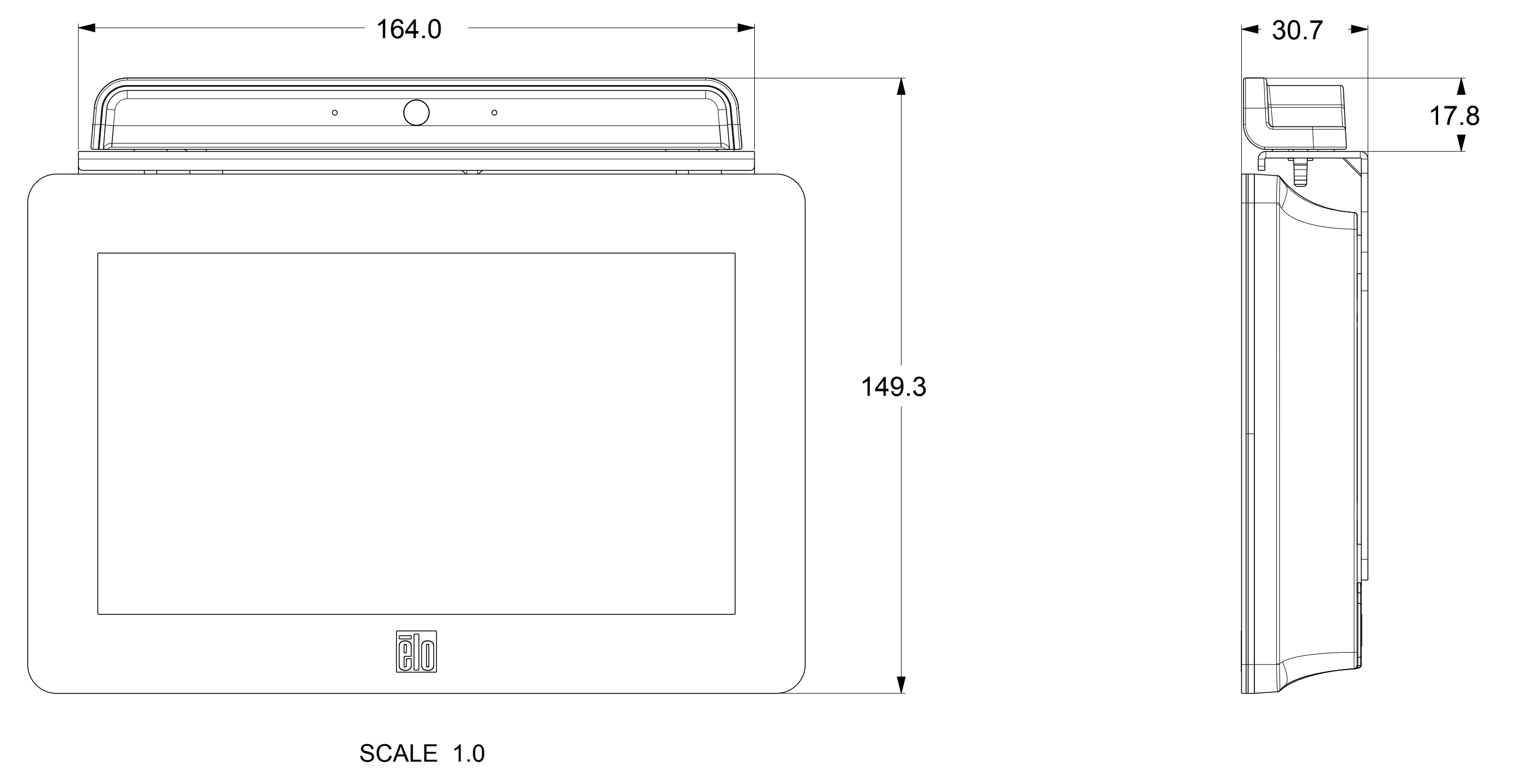
PROPRIETARY TO ELO TOUCH SOLUTIONS, INC. AND SHALL NOT BE DISCLOSED OTHER THAN TO NECESSARY EMPLOYEES OR SUPPLIERS WITHOUT THE EXPRESS WRITTEN CONSENT OF ELO TOUCH SOLUTIONS INC.

REVISIONS					
REV	ZONE	BY	DESCRIPTION	DATE	APPROVED
			SEE SHEET ONE		

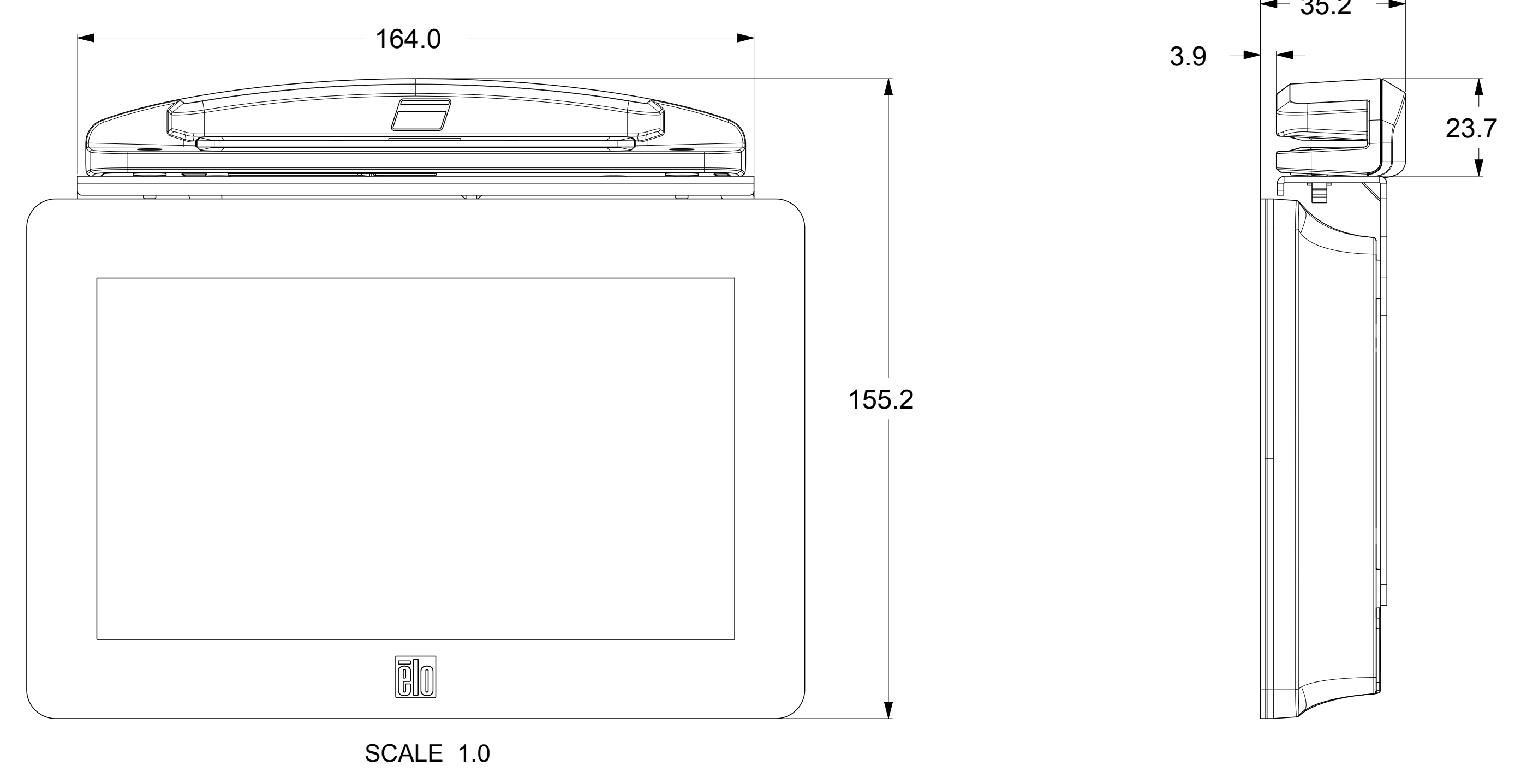
OPTIONAL KIT, BRACKET FOR WEBCAM MSR (E412418)



OPTIONAL PERIPHERAL BRACKET (P/N E412148)
AND KIT WEBCAM USB (P/N E591542)



OPTIONAL PERIPHERAL BRACKET (P/N E412148)
AND KIT MSR (P/N E039290)



ITEM NO.	QTY REQ'D	DRAWING OR PART NO.	DESCRIPTION	MATERIAL SPECIFICATION
PARTS LIST				
PART NO.	UNLESS OTHERWISE SPECIFIED ALL DIMENSIONS ARE IN MILLIMETERS	DRAWN KEN NORTH	DATE 00.00.00	TITLE
METRIC	TOLERANCES ARE: DECIMALS ANGLES X ± 0.50 ± 1/ 2° X ± 0.25 FRACTIONS XX ± 0.13 ± 1/ 32	CHECK	DATE	DIMENSIONAL DRAWING ET0700L SERIES
DO NOT SCALE DRAWING		DESIGN KEN NORTH	DATE 00.00.00	
Pro/E prt/asm: 7_TLA_NEW_APR_MSR.PRT		THIRD ANGLE PROJECTION		
Pro/E drw: MS601103_REV.DRW		SIZE D	SCALE 0.250	
		DWG. NO. MS601103	REV D	

DWTG. NO. MS601103 REV. D SHT. 2 OF 2