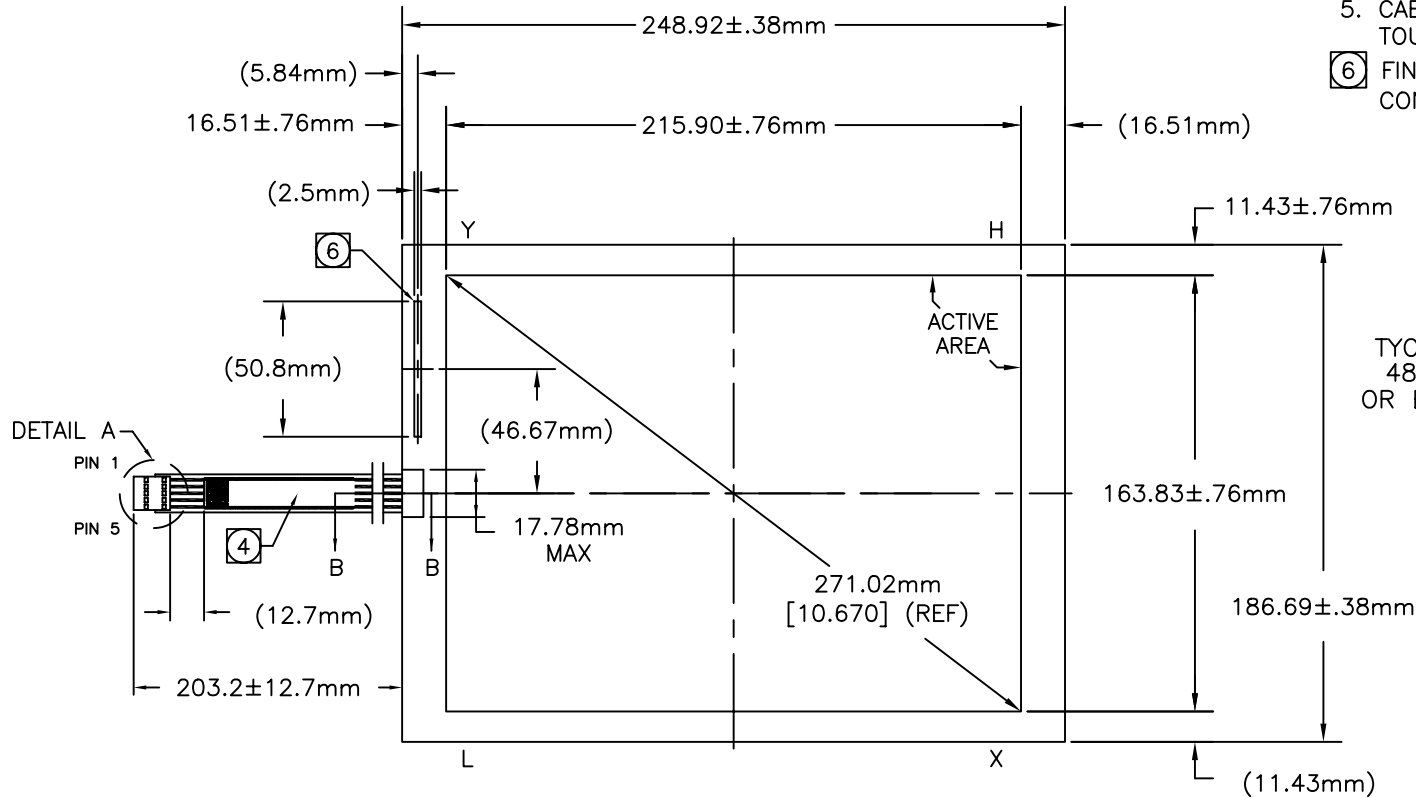


CONNECTOR PINOUT	
PIN NO.	DESIGNATION
1	H
2	X
3	S
4	Y
5	L

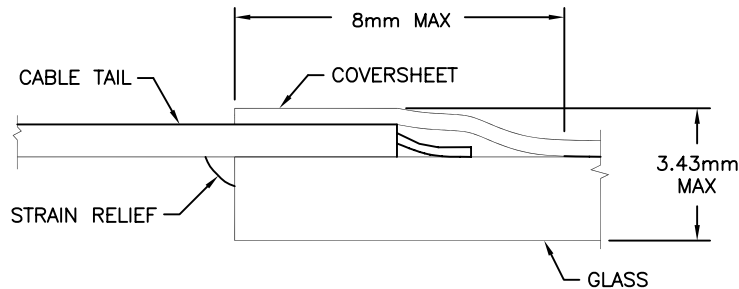
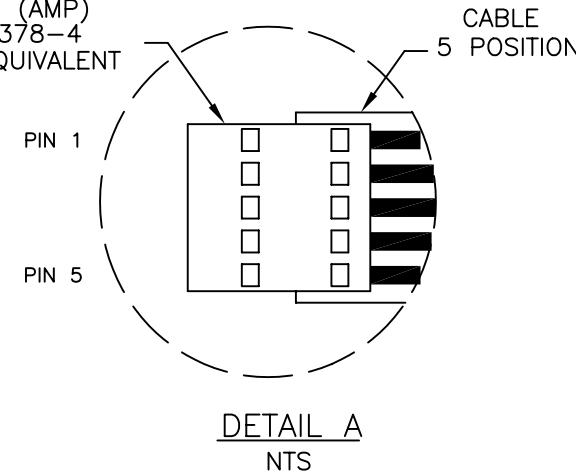
ACCUTOUCH® TOUCHSCREEN  
 SCN-A5-FLT10.4-Z01-OH1-R  
 ELO P/N: E458225

**NOTES:**

- GLASS THICKNESS 2.36mm NOMINAL.
- FINISHED PART THICKNESS 2.67mm NOMINAL.
- FINISHED PART THICKNESS AT CABLE ATTACHMENT AREA 3.43mm MAX.
- ④** LABEL TO BE ATTACHED TO FRONT SIDE OF CABLE.
- CABLE IS ATTACHED TO THE LEFT SIDE OF TOUCHSCREEN AT CENTER POINT AS SHOWN.
- ⑥** FINISHED PART THICKNESS AT THE COVERSHEET CONTACT 3.05mm MAX.



TYCO (AMP)  
 487378-4  
 OR EQUIVALENT



UNLESS OTHERWISE SPECIFIED:  
 DIMENSIONS ARE IN mm