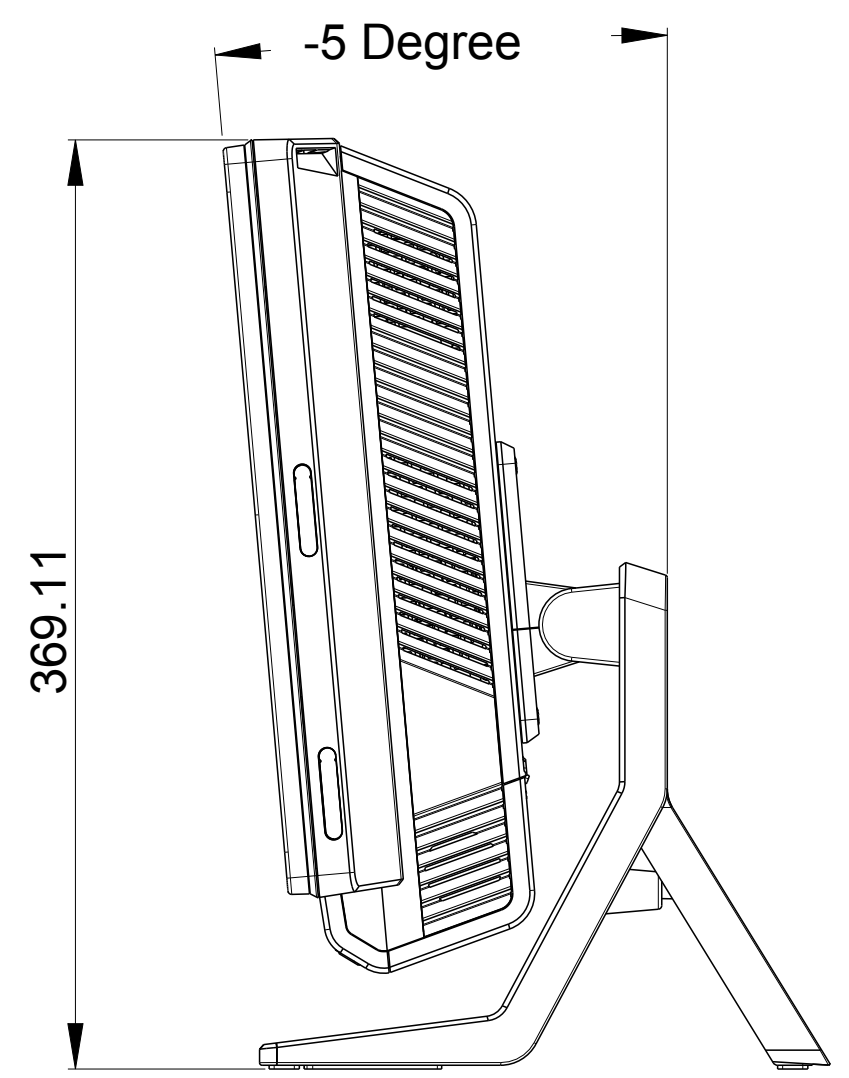
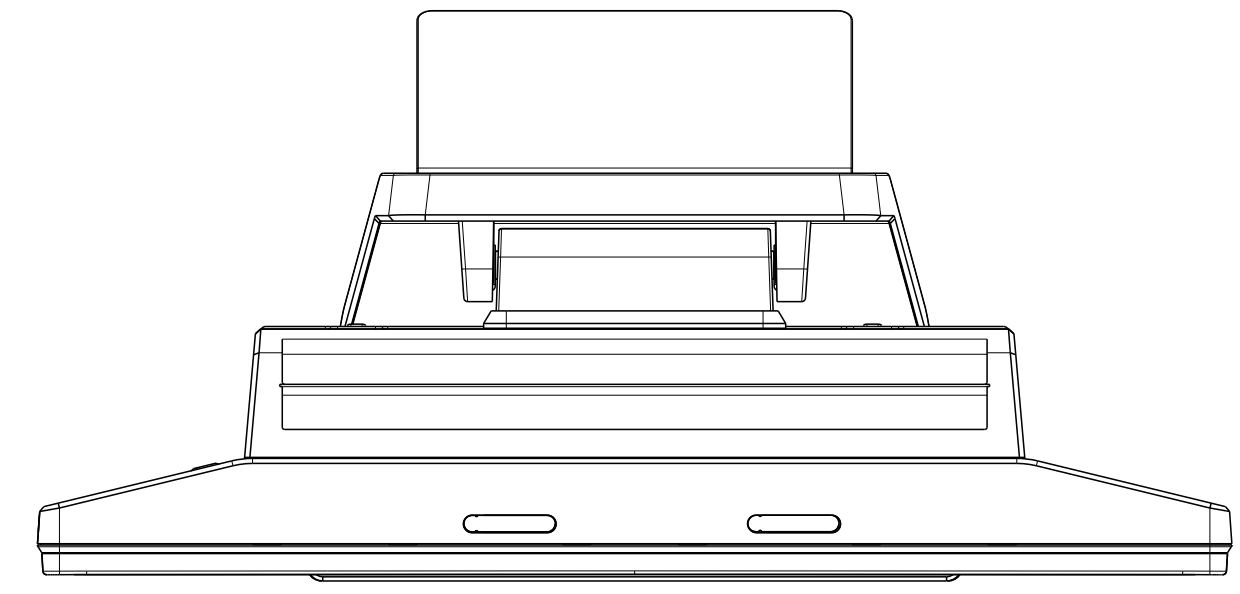
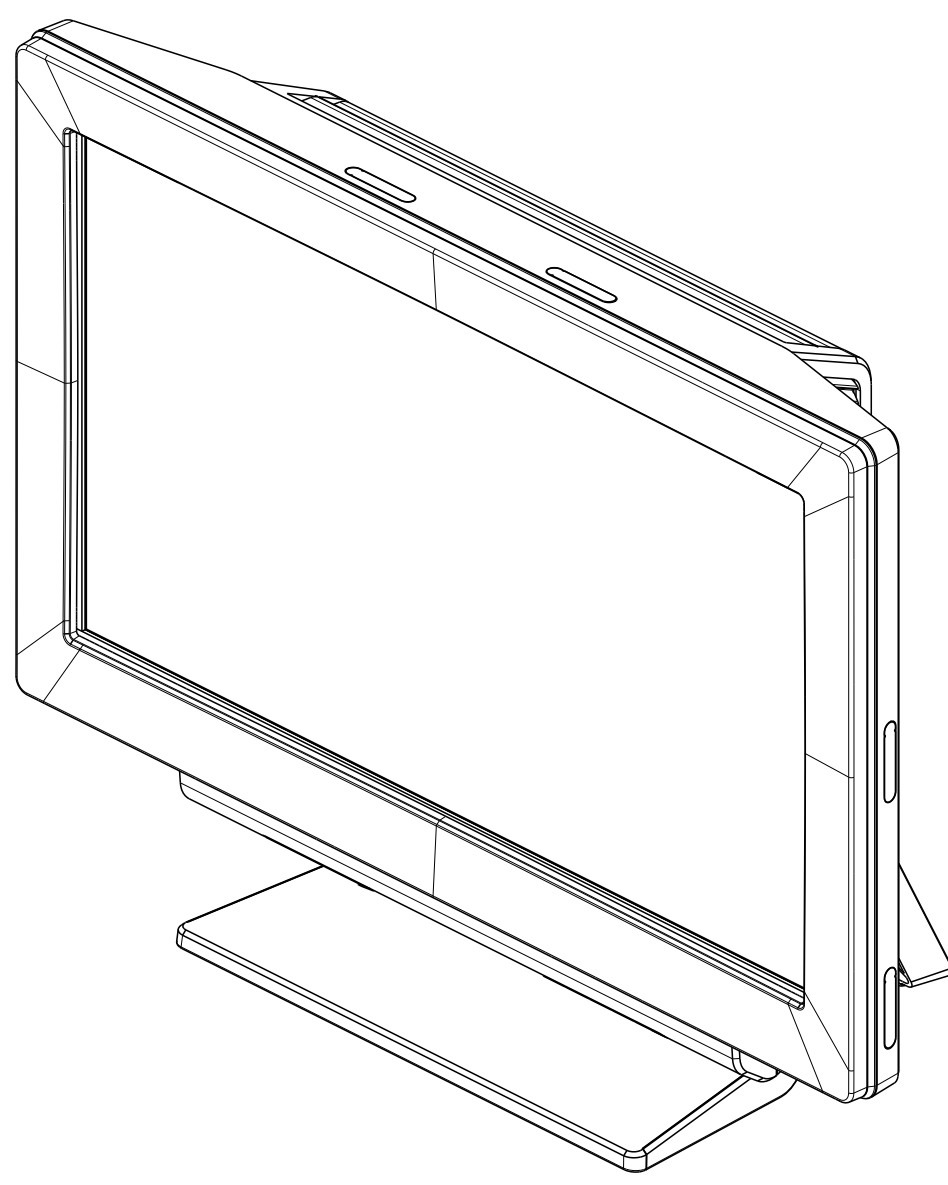


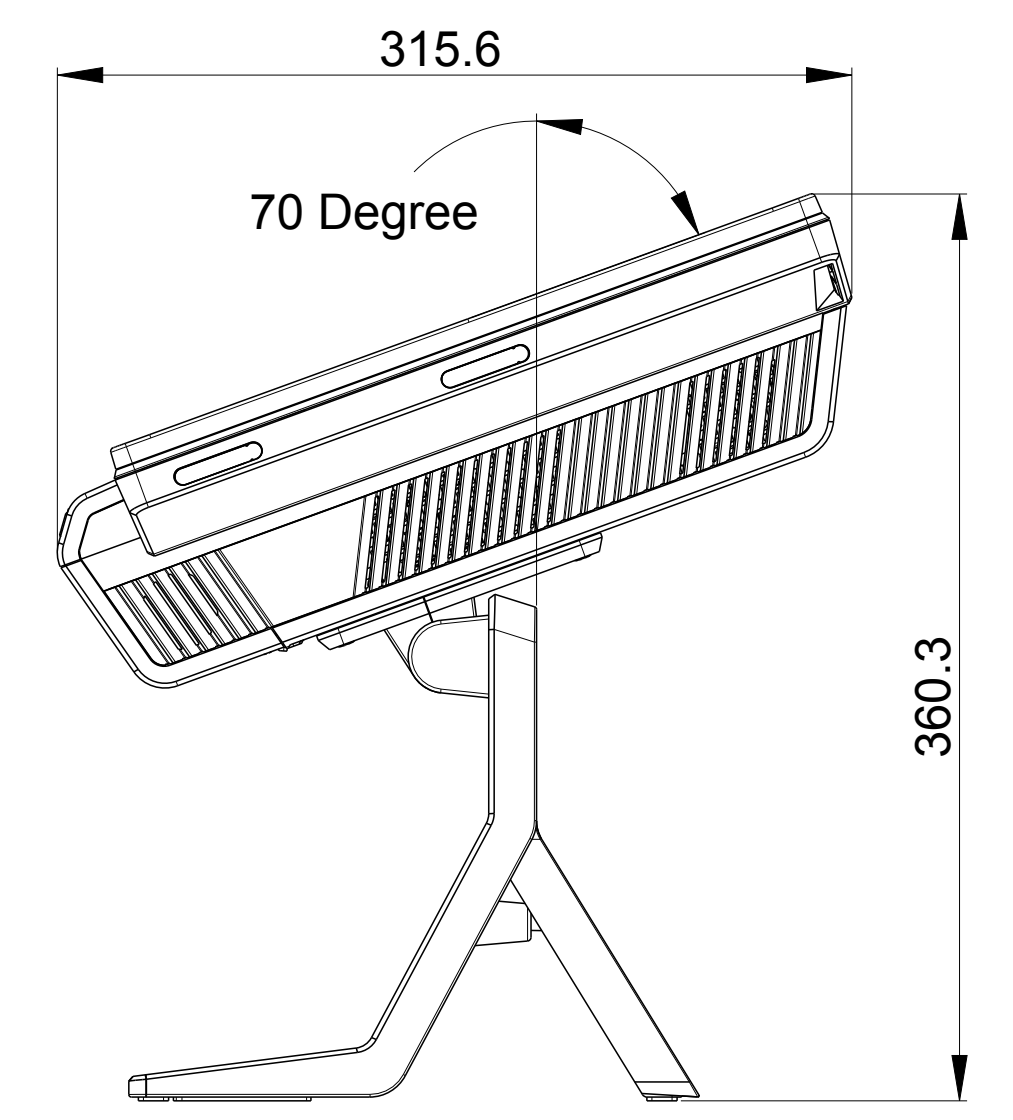
PROPRIETARY TO ELO TOUCH SOLUTIONS, INC. AND SHALL NOT BE DISCLOSED OTHER THAN TO NECESSARY EMPLOYEES OR SUPPLIERS WITHOUT THE EXPRESS WRITTEN CONSENT OF ELO TOUCH SOLUTIONS INC.

THIS PAGE IS FOR 19" ONLY.

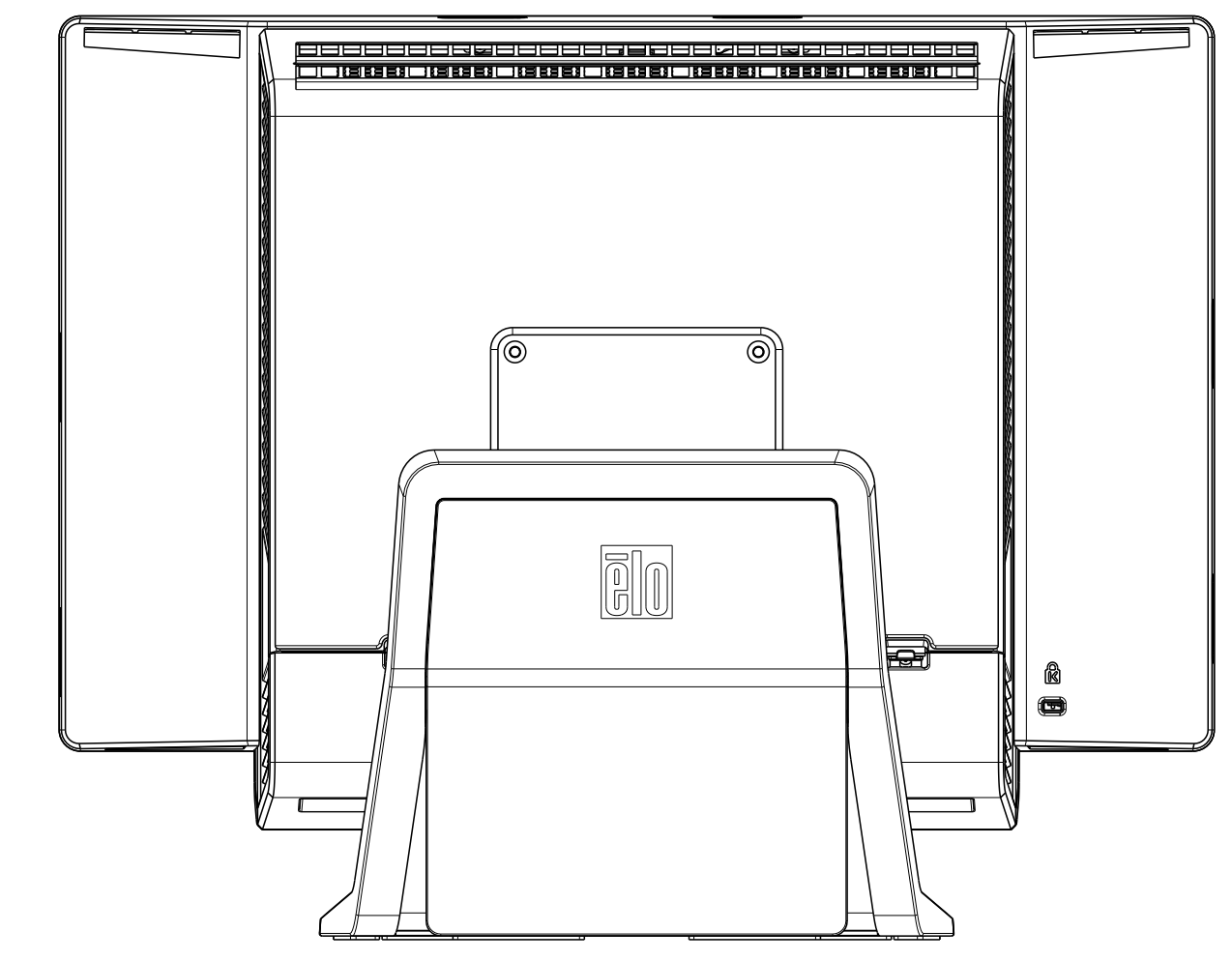
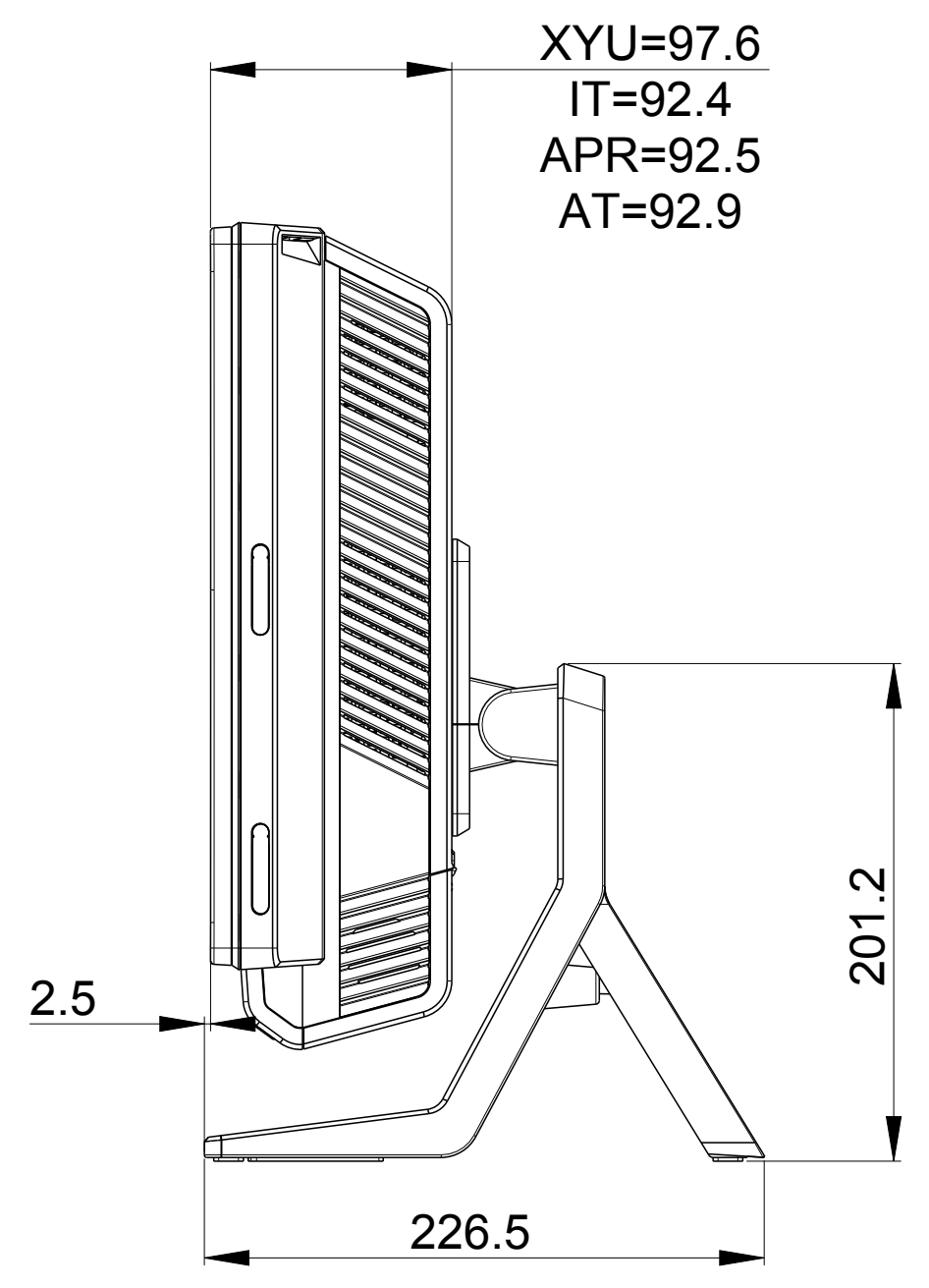
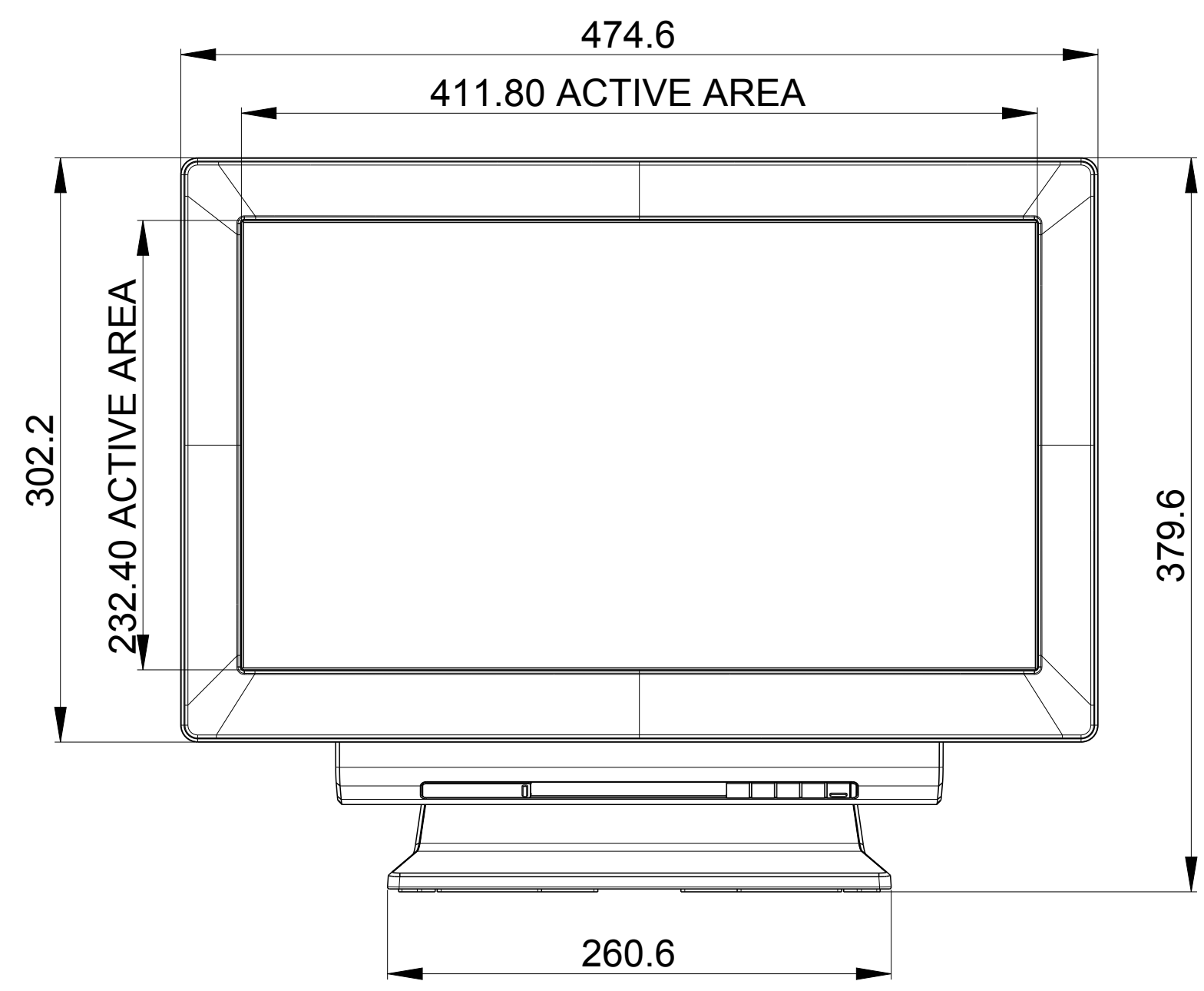
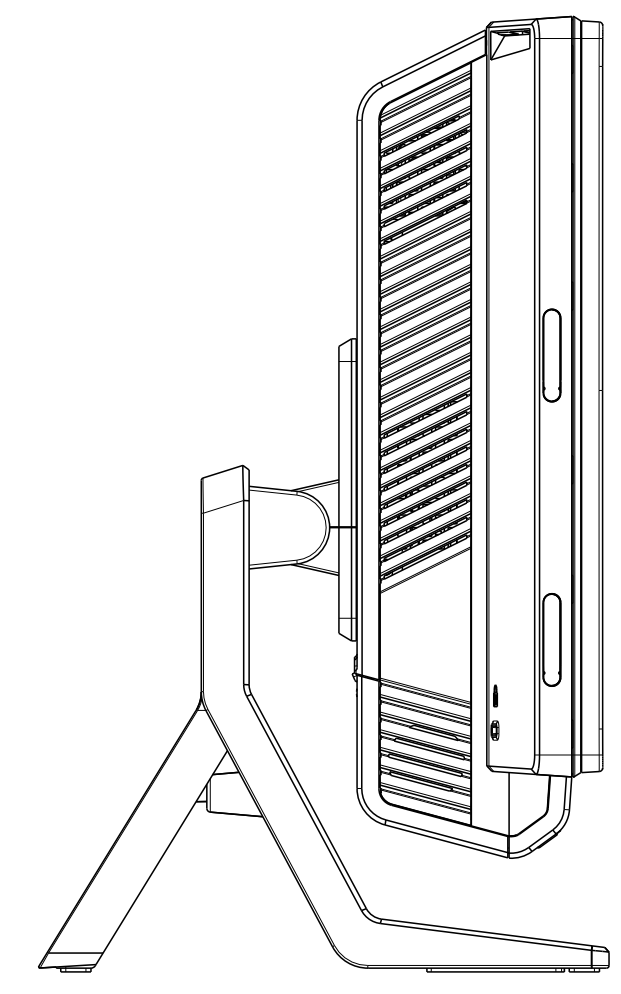
REVISIONS					
REV	ZONE	BY	DESCRIPTION	DATE	APPROVED
A	--	KJN	INITIAL RELEASE QUOTE ONLY	00.00.00	
B	--	DI	REVISED PER ECO-12-014540 ELO TITLE BLOCK WAS TE	08/31/12	



TITLE : -5 Degree
SCALE 0.33



TITLE : 70 Degree
SCALE 0.33



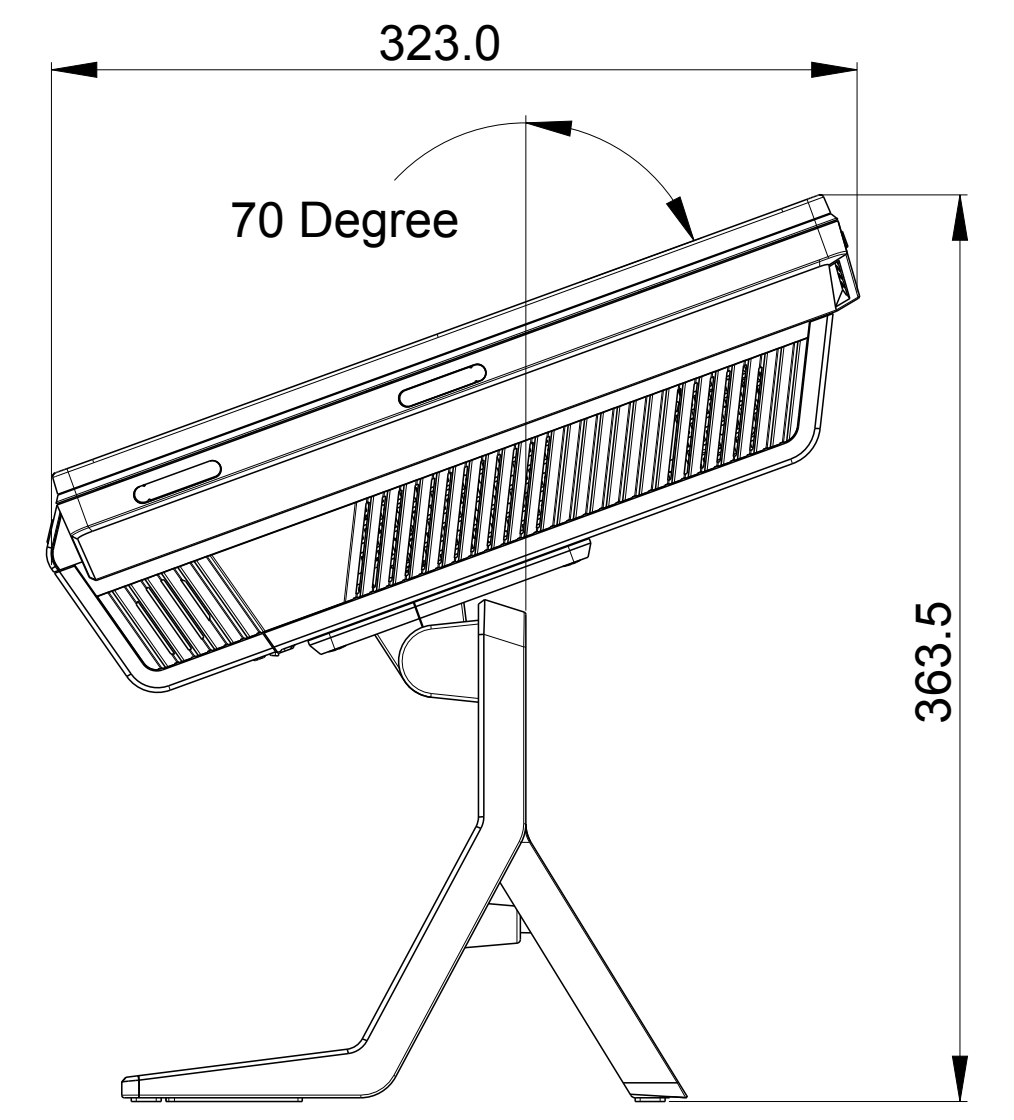
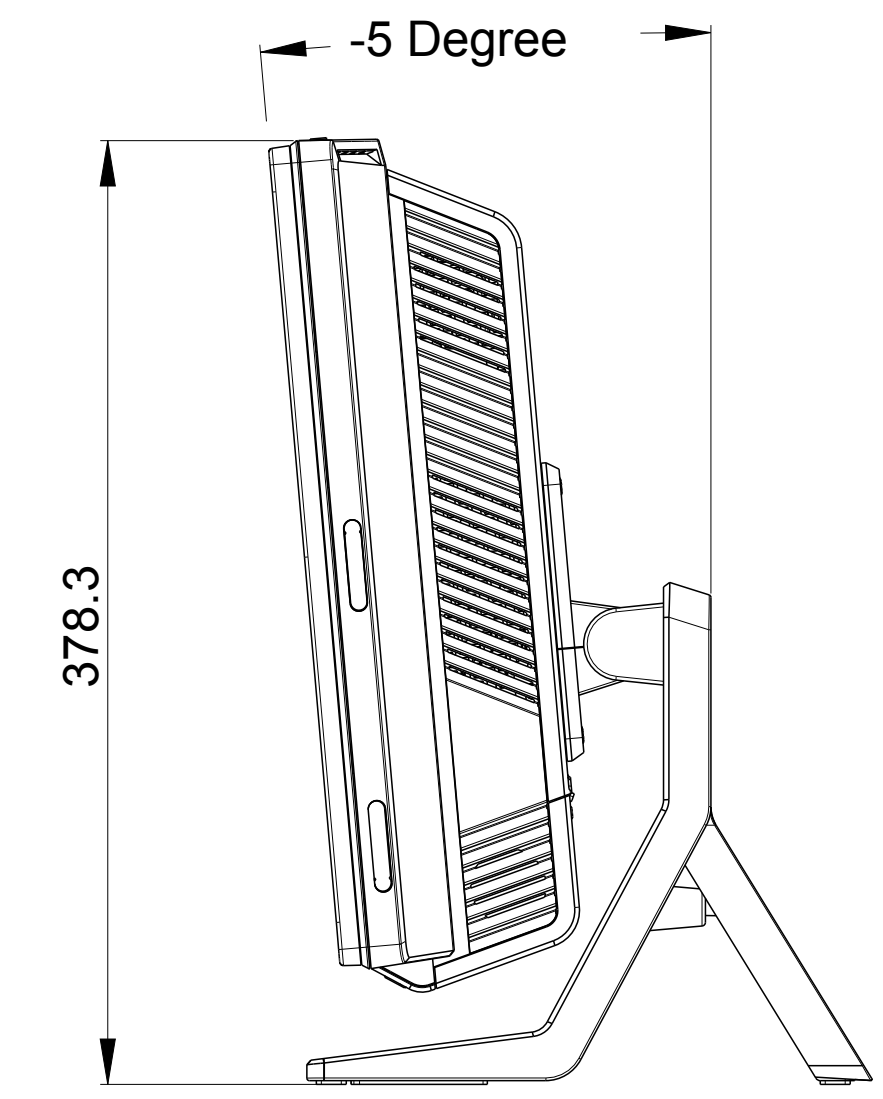
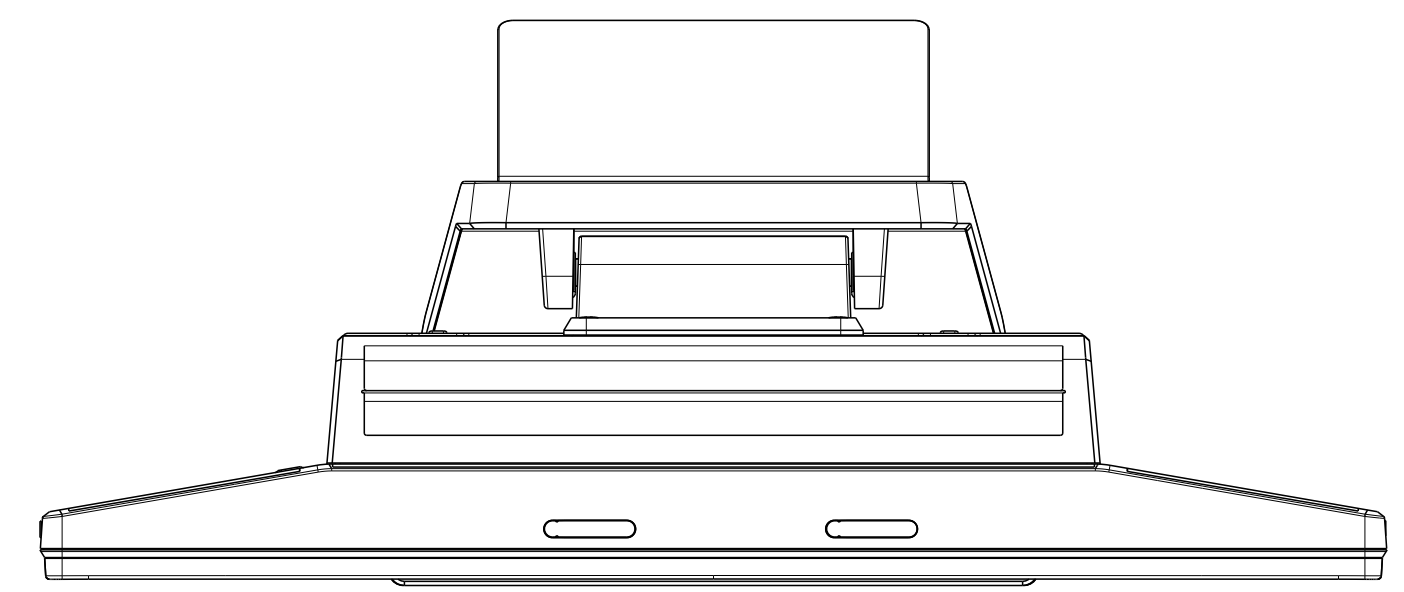
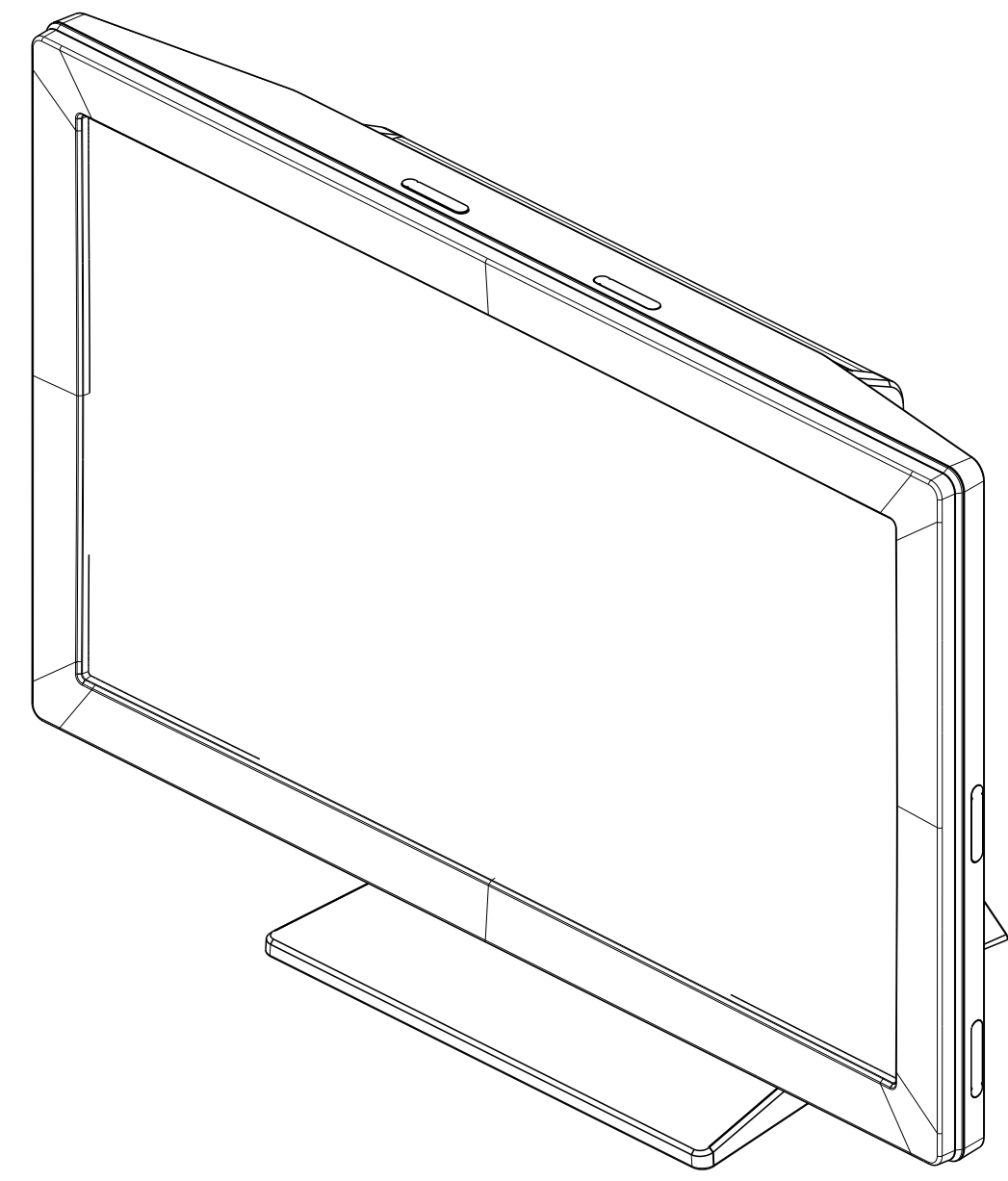
ITEM NO.	QTY REQ'D	DRAWING OR PART NO.	DESCRIPTION	MATERIAL SPECIFICATION
PARTS LIST				
PART. NO.	UNLESS OTHERWISE SPECIFIED ALL DIMENSIONS ARE IN MILLIMETERS	DRAWN KEN NORTH	DATE 00.00.00	TITLE DIMENSIONAL DRAWING CHOPIN 19" AND 22"
METRIC	TOLERANCES ARE: DECIMALS: X ± 0.50, X ± 0.25, XX ± 0.13 ANGLES: ± 1/ 2 ° FRACTIONS: ± 1/ 32	CHECK KEN NORTH	DATE 00.00.00	
DO NOT SCALE DRAWING		DESIGN KEN NORTH	DATE 00.00.00	
THIRD ANGLE PROJECTION				
Pro/E prt/asm: 22C_TLA_XYU_STAND70.PRT		Pro/E drw: MS601060_REV8.DRW		
SIZE D	SCALE 1.000	SHEET 1 OF 4	DWG. NO. MS601060	REV B

SHT 1 OF 4 REV B DWG. NO. MS601060

PROPRIETARY TO ELO TOUCH SOLUTIONS, INC. AND SHALL NOT BE DISCLOSED OTHER THAN TO NECESSARY EMPLOYEES OR SUPPLIERS WITHOUT THE EXPRESS WRITTEN CONSENT OF ELO TOUCH SOLUTIONS INC.

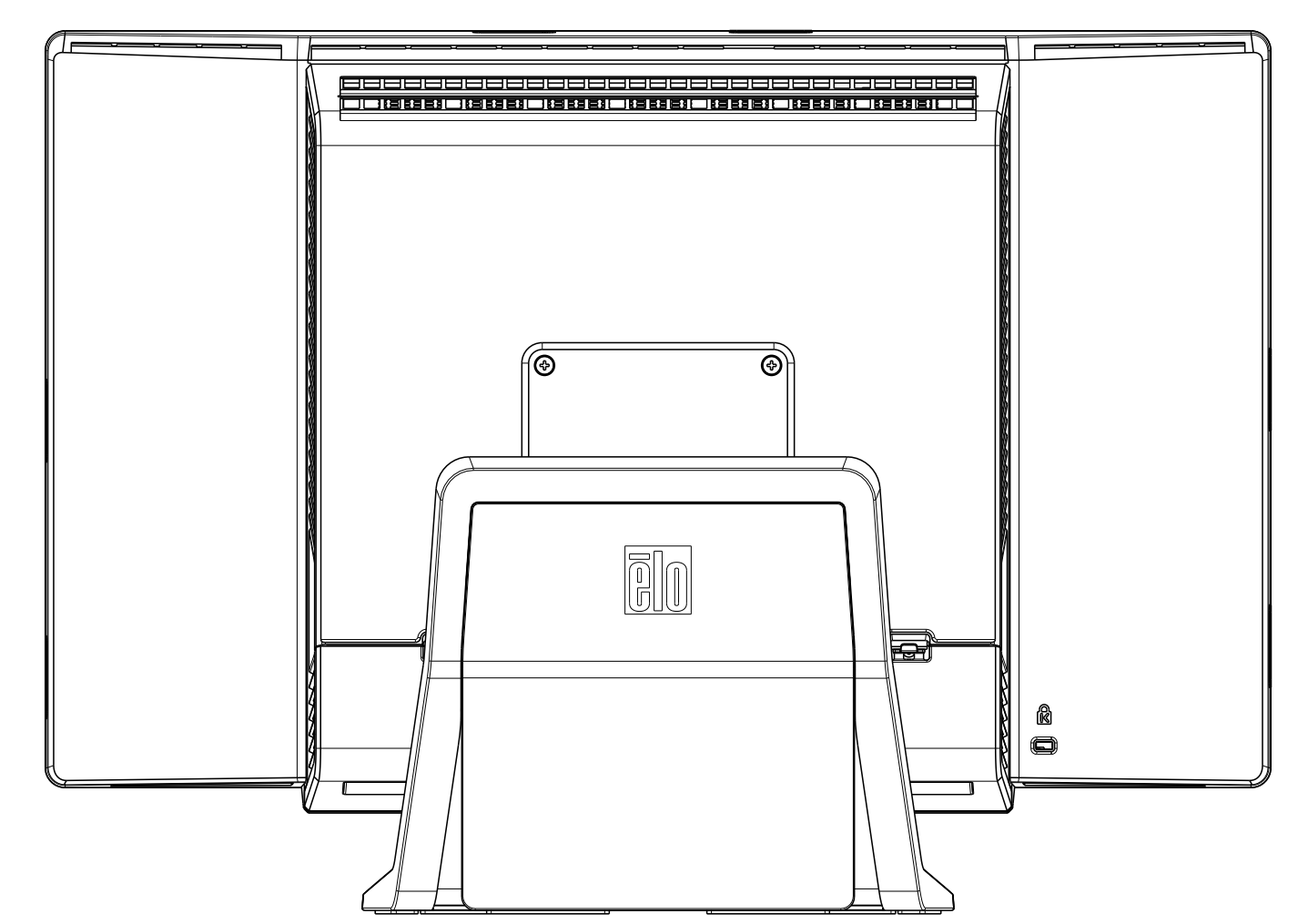
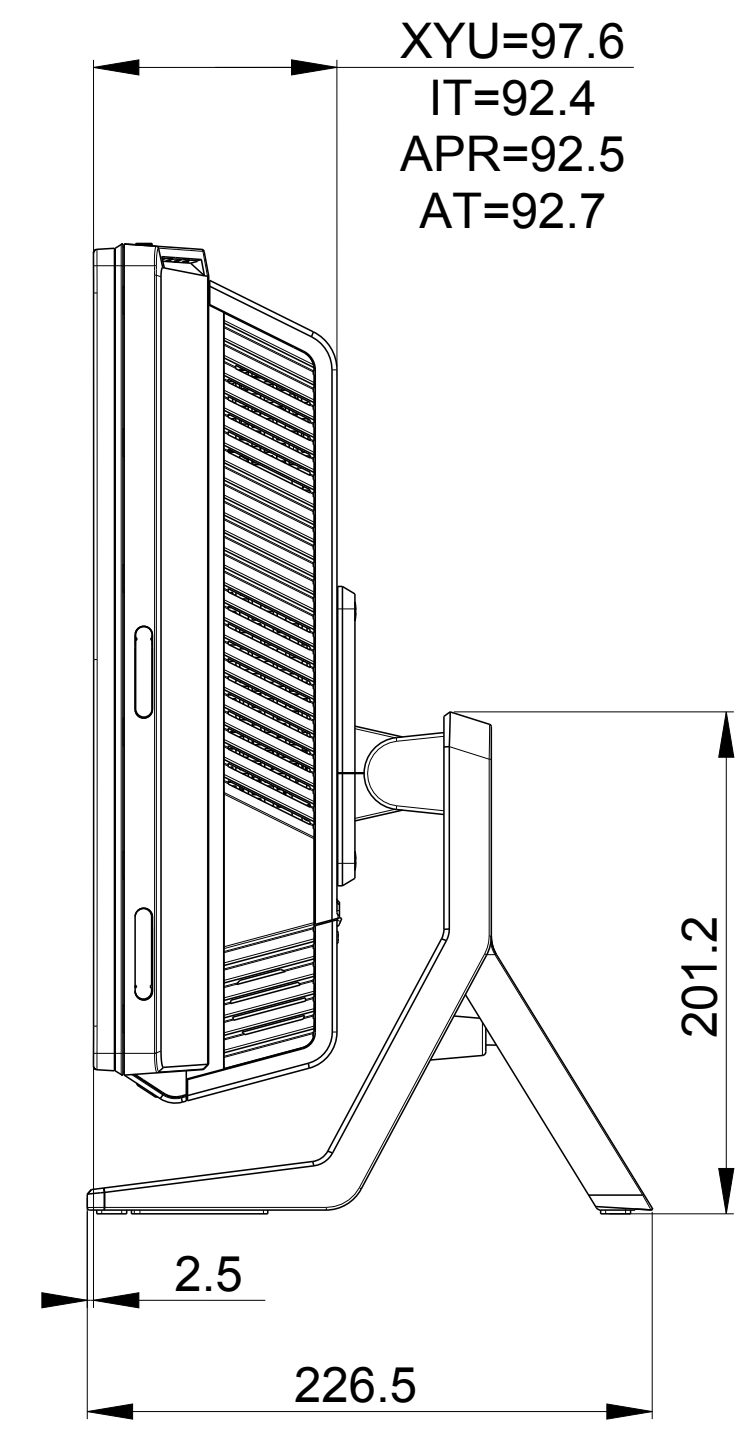
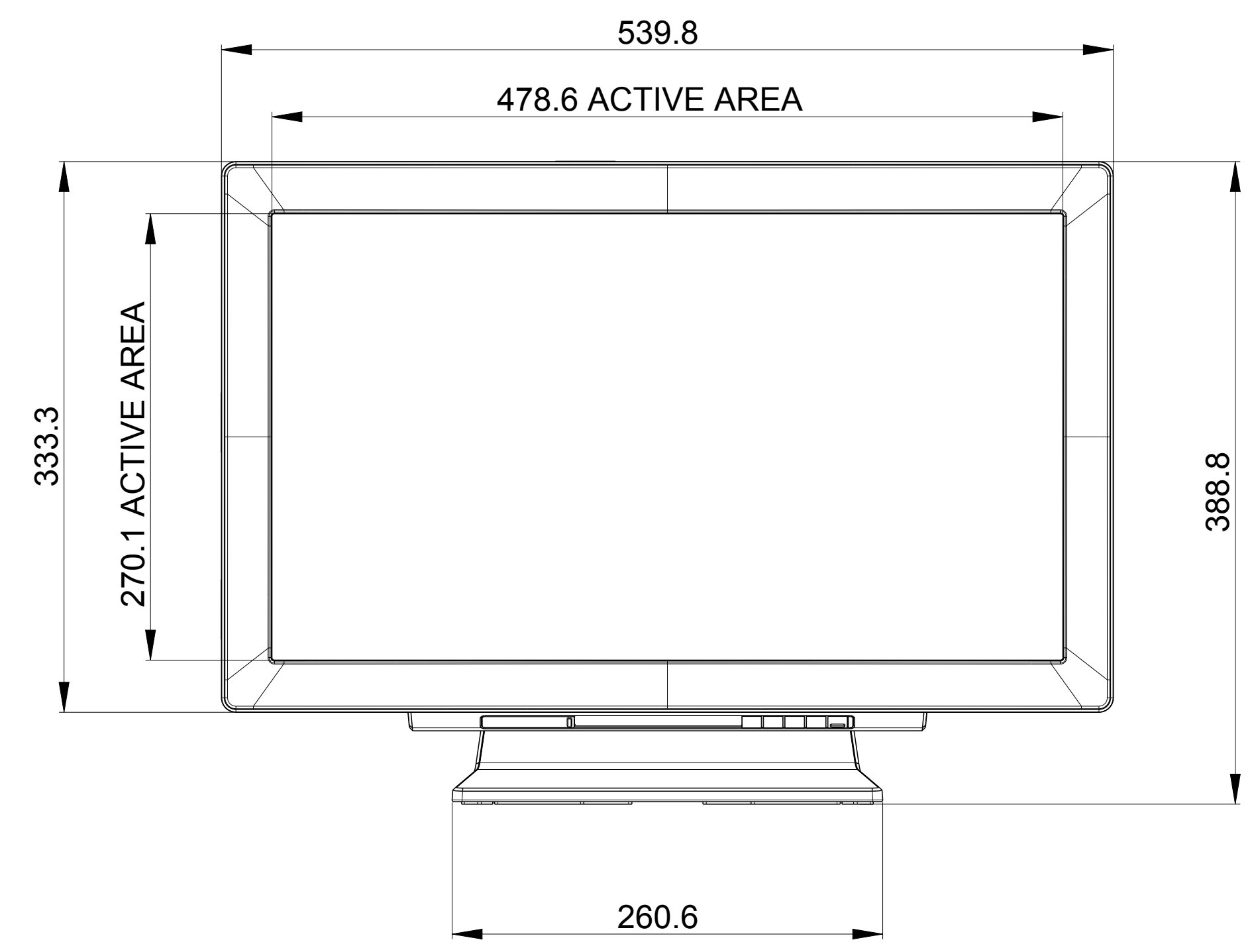
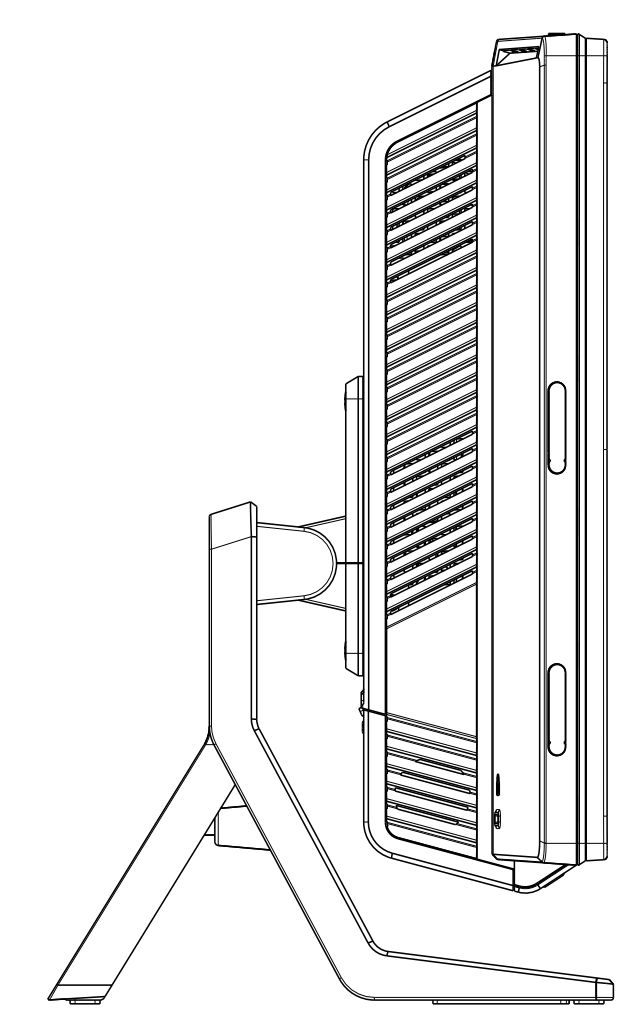
THIS PAGE IS FOR 22" ONLY.

REVISIONS					
REV	ZONE	BY	DESCRIPTION	DATE	APPROVED
			SEE SHEET ONE		



TITLE : -5 Degree
SCALE 0.33

TITLE : 70 Degree
SCALE 0.33

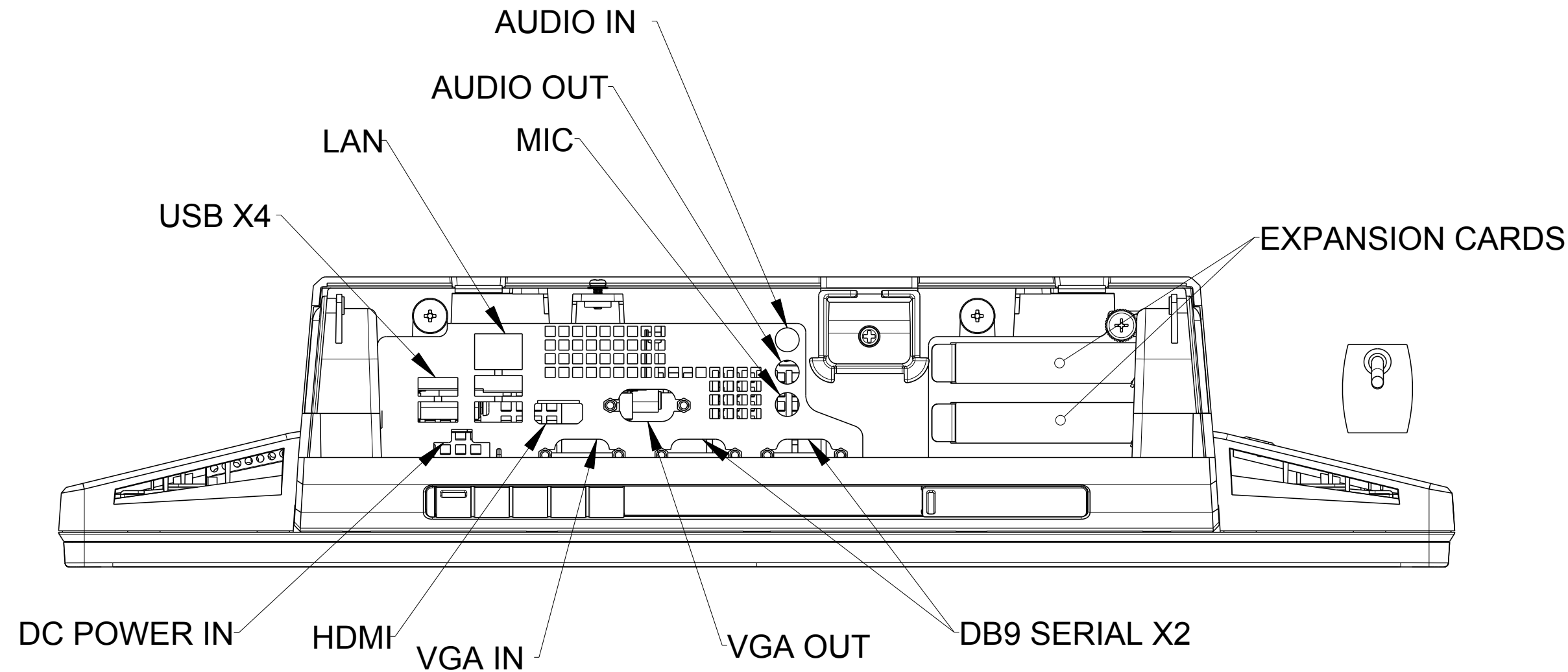


ITEM NO.	QTY REQD	DRAWING OR PART NO.	DESCRIPTION	MATERIAL SPECIFICATION
PARTS LIST				
PART. NO.		UNLESS OTHERWISE SPECIFIED ALL DIMENSIONS ARE IN MILLIMETERS	DRAWN KEN NORTH	DATE 00.00.00
METRIC		TOLERANCES ARE: DECIMALS ANGLES X ± 0.50 ± 1/ 2° X ± 0.25 FRACTIONS XX ± 0.13 ± 1/ 32	CHECK KEN NORTH	DATE 00.00.00
DO NOT SCALE DRAWING			THIRD ANGLE PROJECTION	
Pro/E prt/asm: 22C_TLA_XYU_STAND70.PRT		TITLE DIMENSIONAL DRAWING CHOPIN 19" AND 22"		
Pro/E drw: MS601060_REV6.DRW		SIZE D	SCALE 0.400	
		DWG. NO. MS601060		REV B

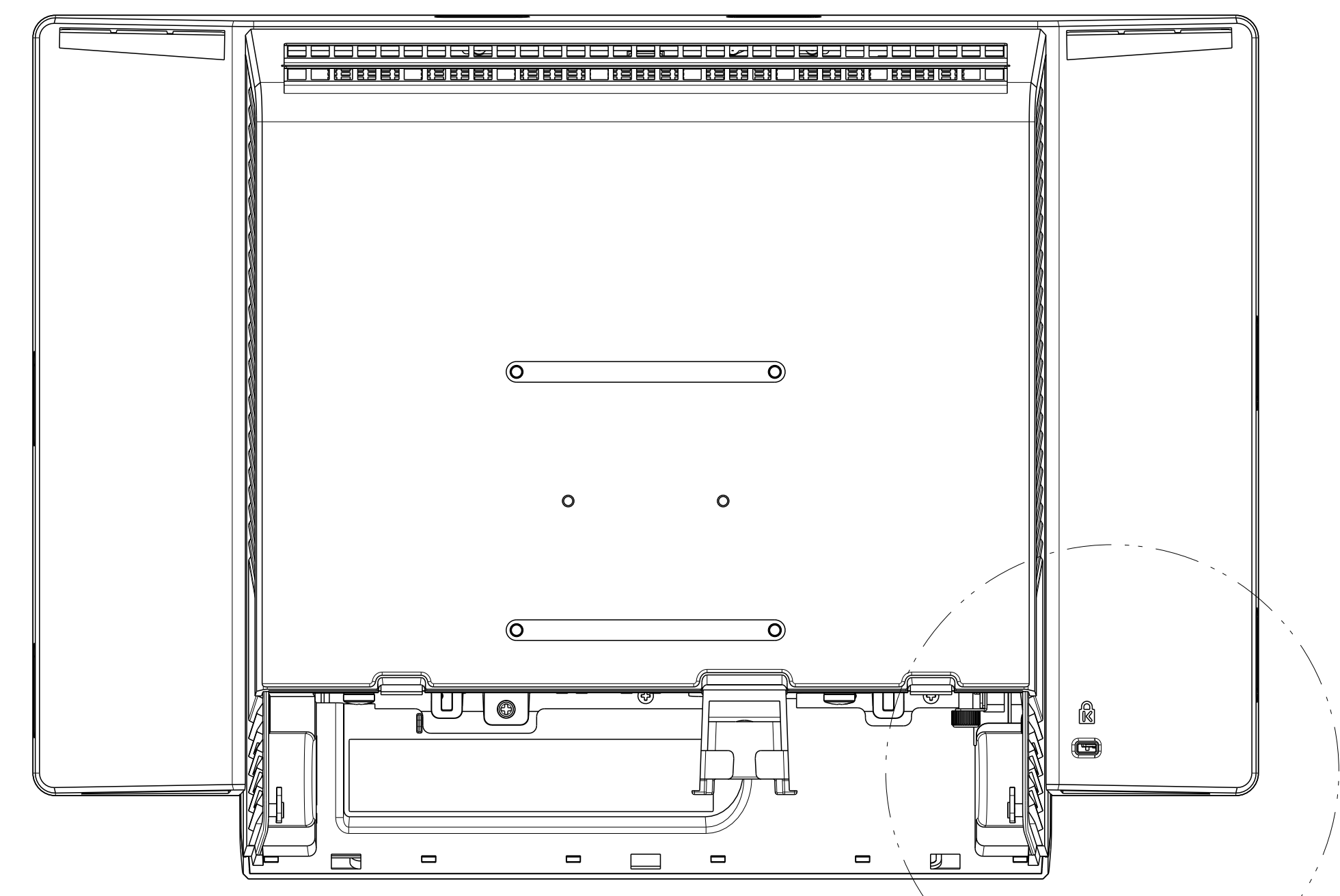
SHT 2 OF 4 REV B DWG. NO. MS601060

PROPRIETARY TO ELO TOUCH SOLUTIONS, INC. AND SHALL NOT BE DISCLOSED OTHER THAN TO NECESSARY EMPLOYEES OR SUPPLIERS WITHOUT THE EXPRESS WRITTEN CONSENT OF ELO TOUCH SOLUTIONS INC.

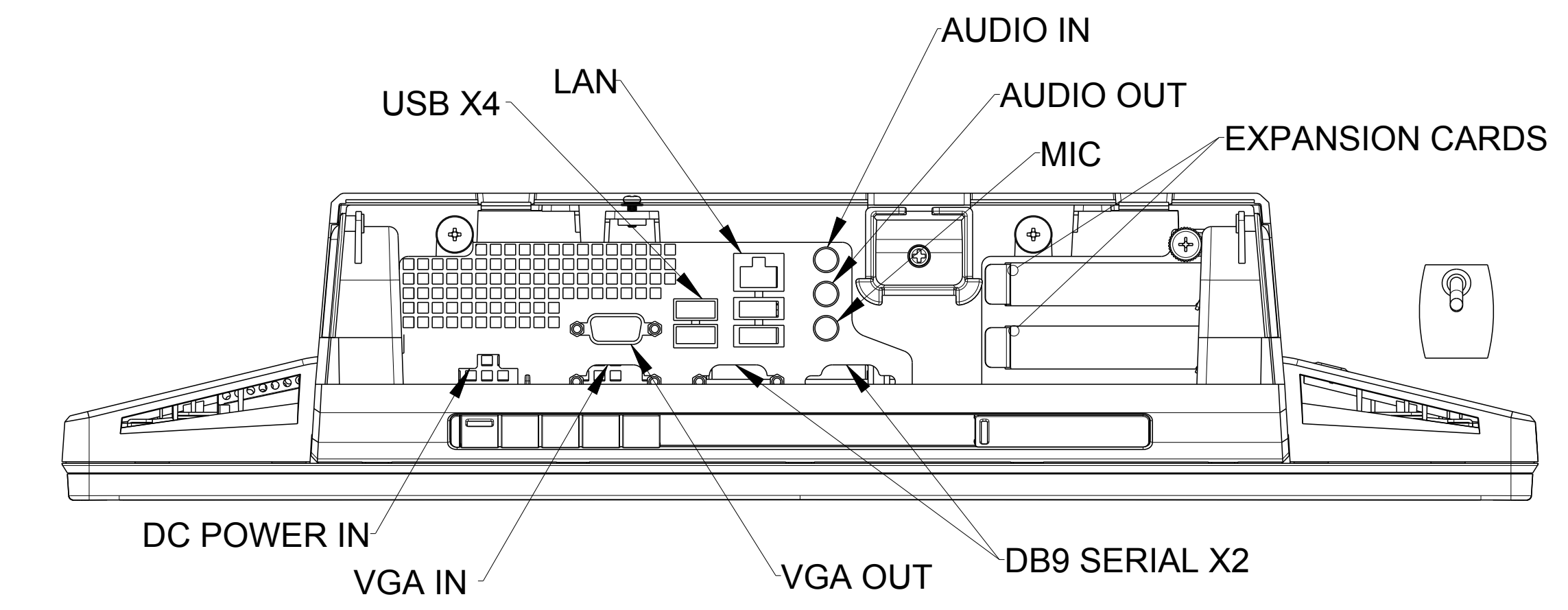
REVISIONS					
REV	ZONE	BY	DESCRIPTION	DATE	APPROVED
			SEE SHEET ONE		



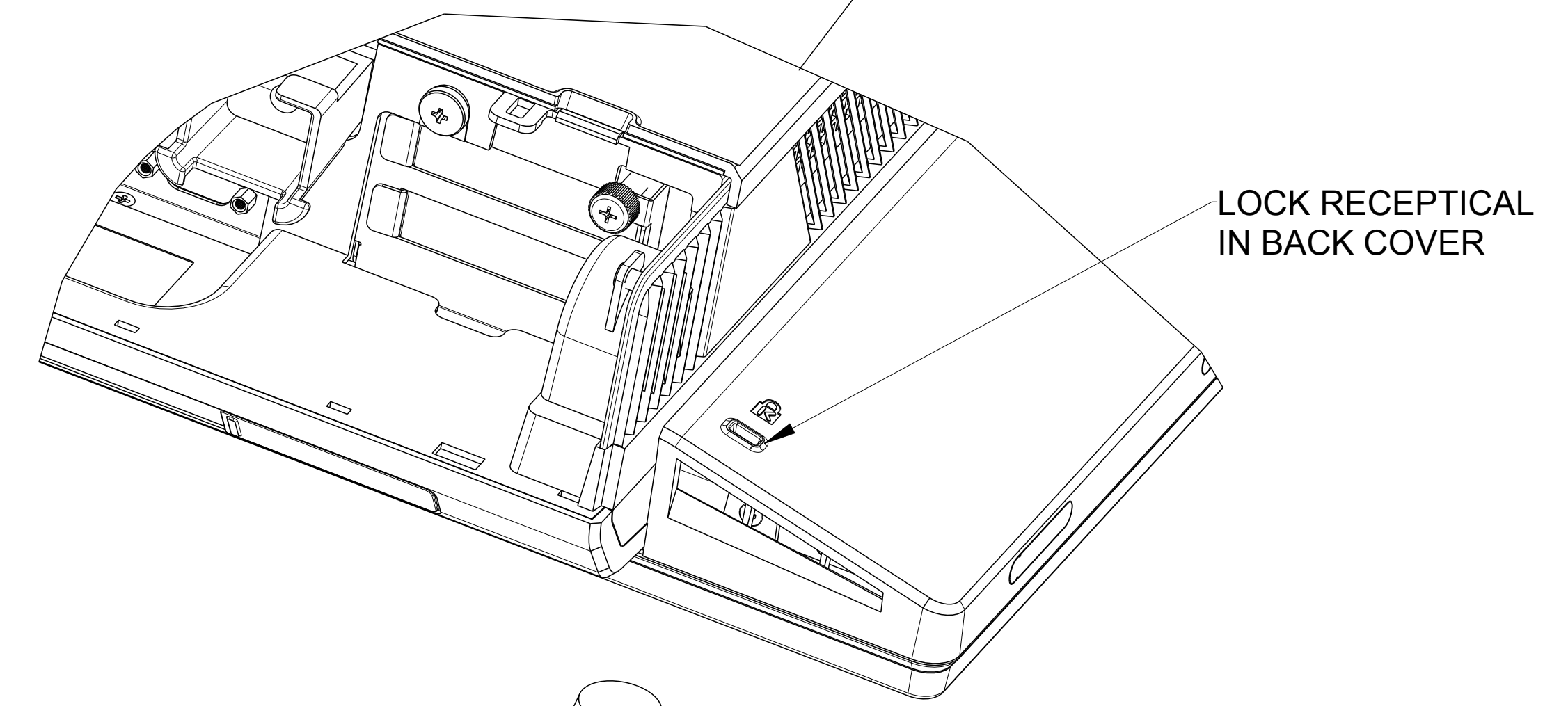
C1-3 MODEL
SCALE 0.6



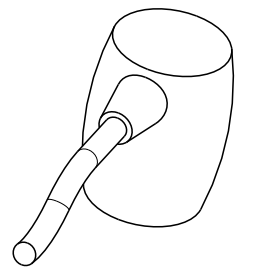
SCALE 0.5



C2 MODEL
SCALE 0.6



SCALE 0.8

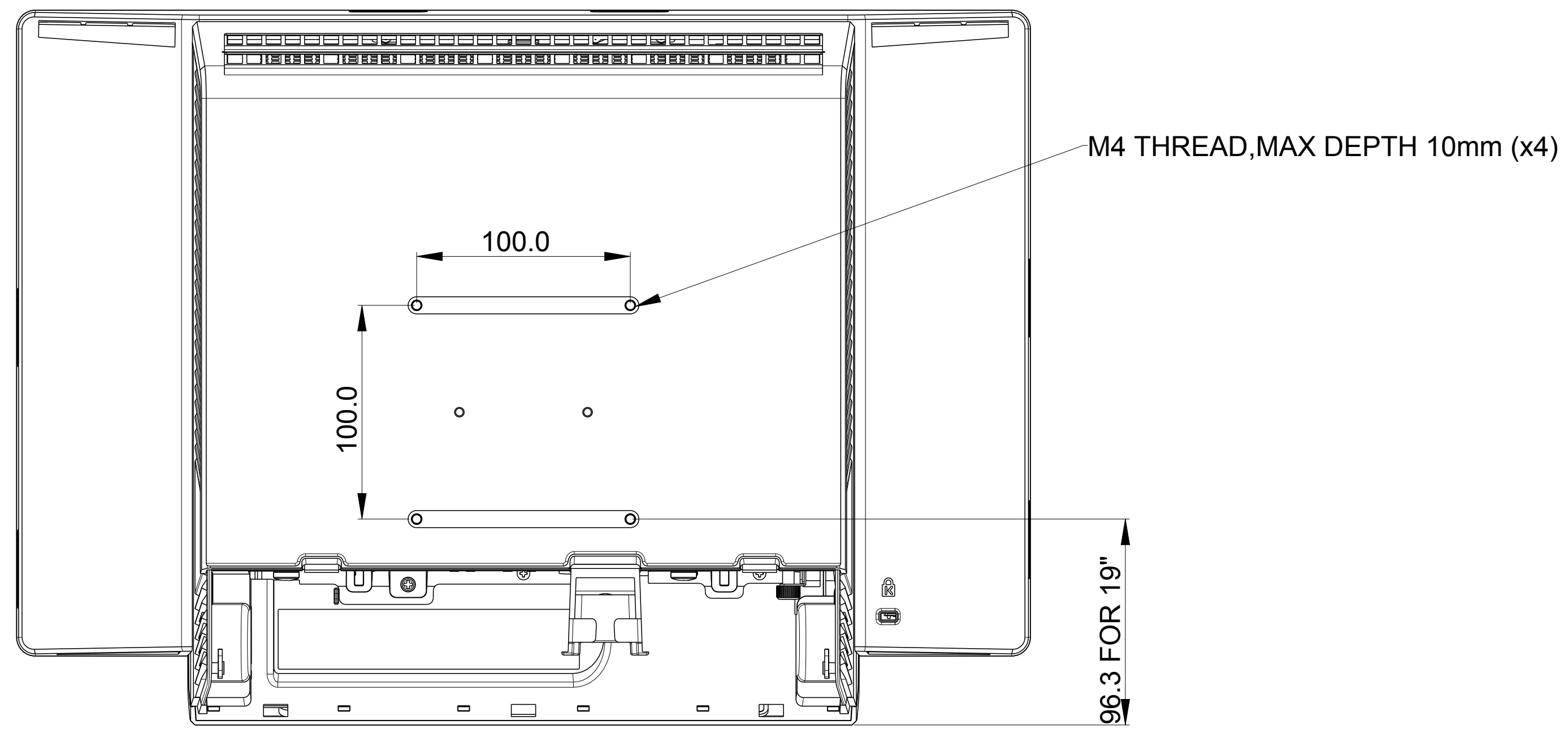


ITEM NO.	QTY REQ'D	DRAWING OR PART NO.	DESCRIPTION	MATERIAL SPECIFICATION
PARTS LIST				
PART. NO.		UNLESS OTHERWISE SPECIFIED ALL DIMENSIONS ARE IN MILLIMETERS	DRAWN KEN NORTH	DATE 00.00.00
METRIC		TOLERANCES ARE: DECIMALS ANGLES X ± 0.50 ± 1/ 2° X ± 0.25 FRACTIONS XX ± 0.13 ± 1/ 32	CHECK	DATE
			DESIGN KEN NORTH	DATE 00.00.00
THIRD ANGLE PROJECTION				
DO NOT SCALE DRAWING		TITLE DIMENSIONAL DRAWING CHOPIN 19" AND 22"		
Pro/E prt/asm: 22C_TLA_XYU_STAND70.PRT		SIZE D 1.000		
Pro/E drw: MS601060_REV8.DRW		SHEET 3 OF 4		REV B
		DWG. NO. MS601060		

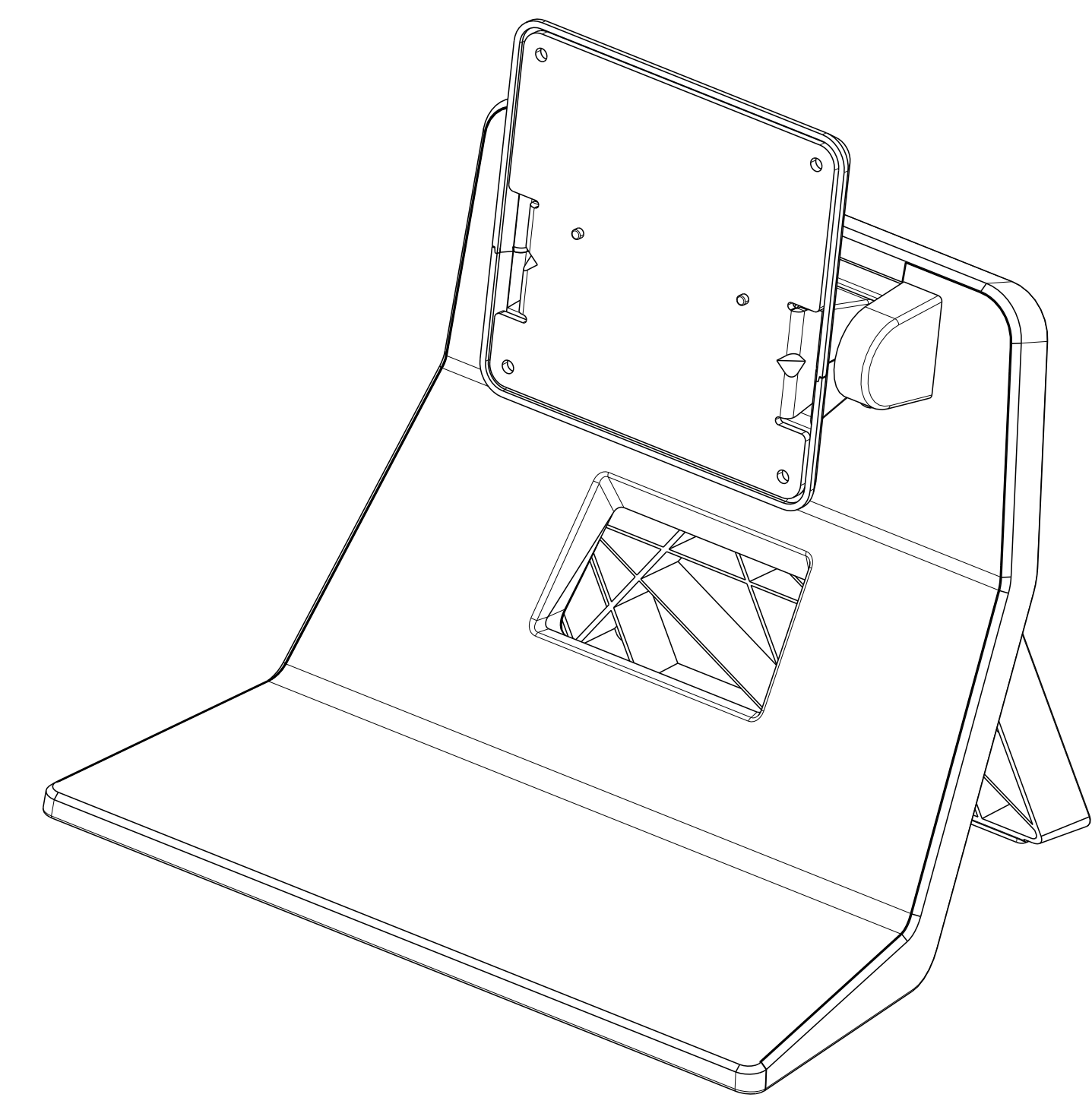
SHT 3 OF 4 REV B DWG. NO. MS601060

PROPRIETARY TO ELO TOUCH SOLUTIONS, INC. AND SHALL NOT BE DISCLOSED OTHER THAN TO NECESSARY EMPLOYEES OR SUPPLIERS WITHOUT THE EXPRESS WRITTEN CONSENT OF ELO TOUCH SOLUTIONS INC.

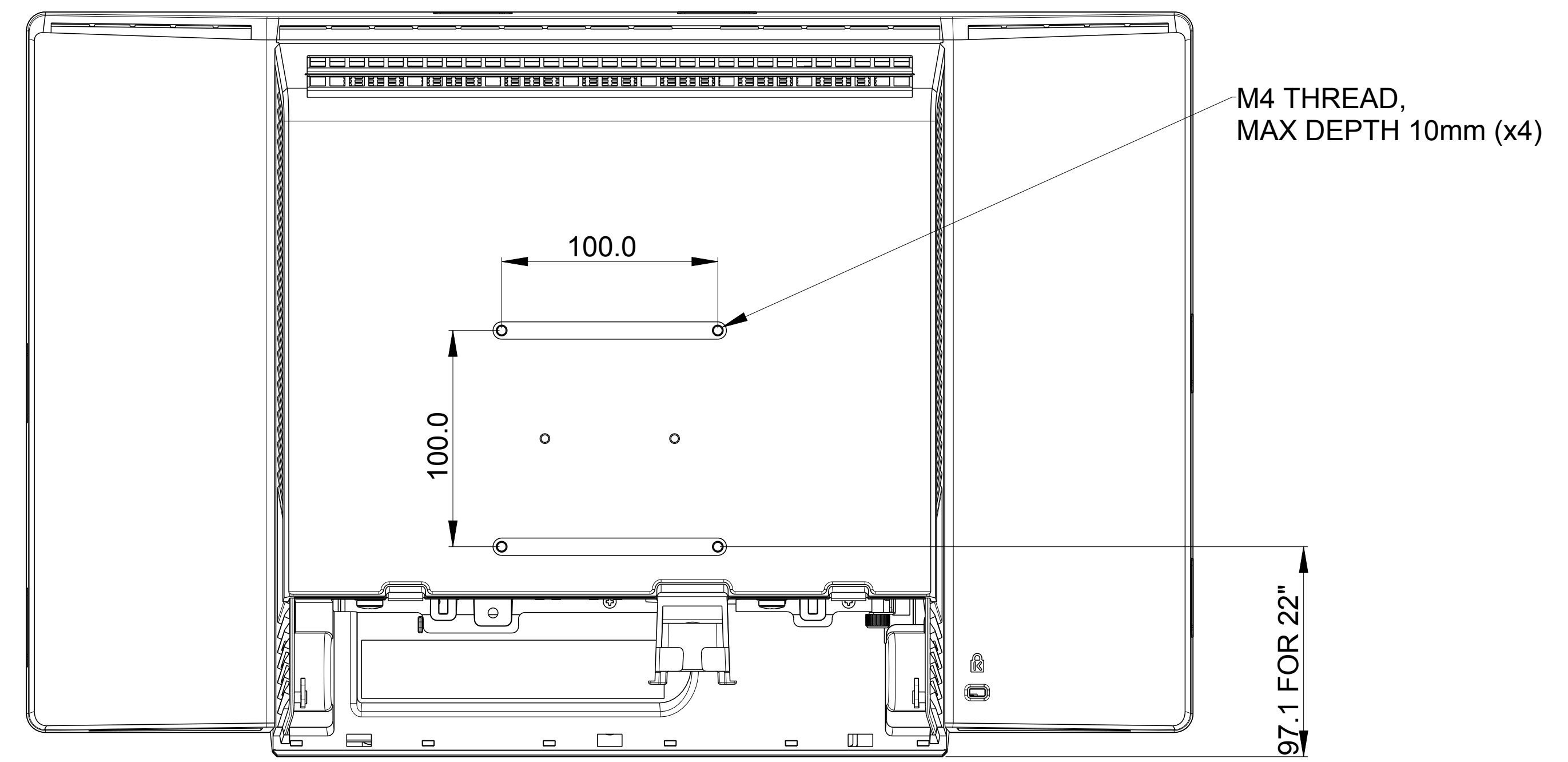
REVISIONS					
REV	ZONE	BY	DESCRIPTION	DATE	APPROVED
SEE SHEET ONE					



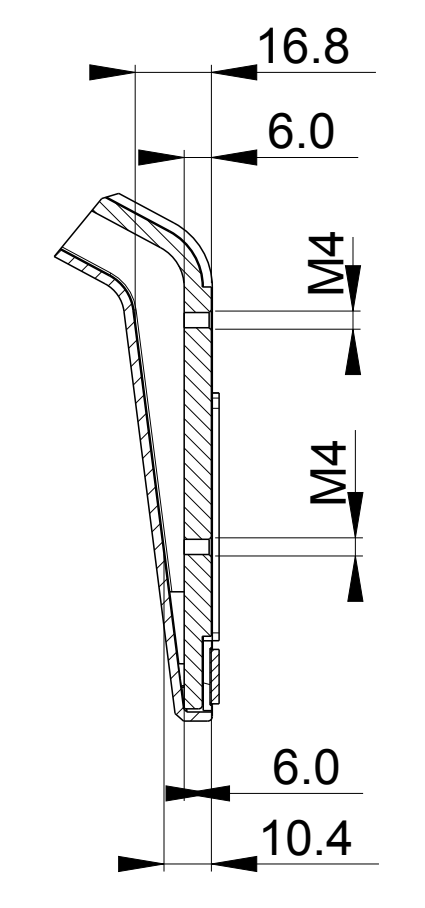
19" SCALE 0.5



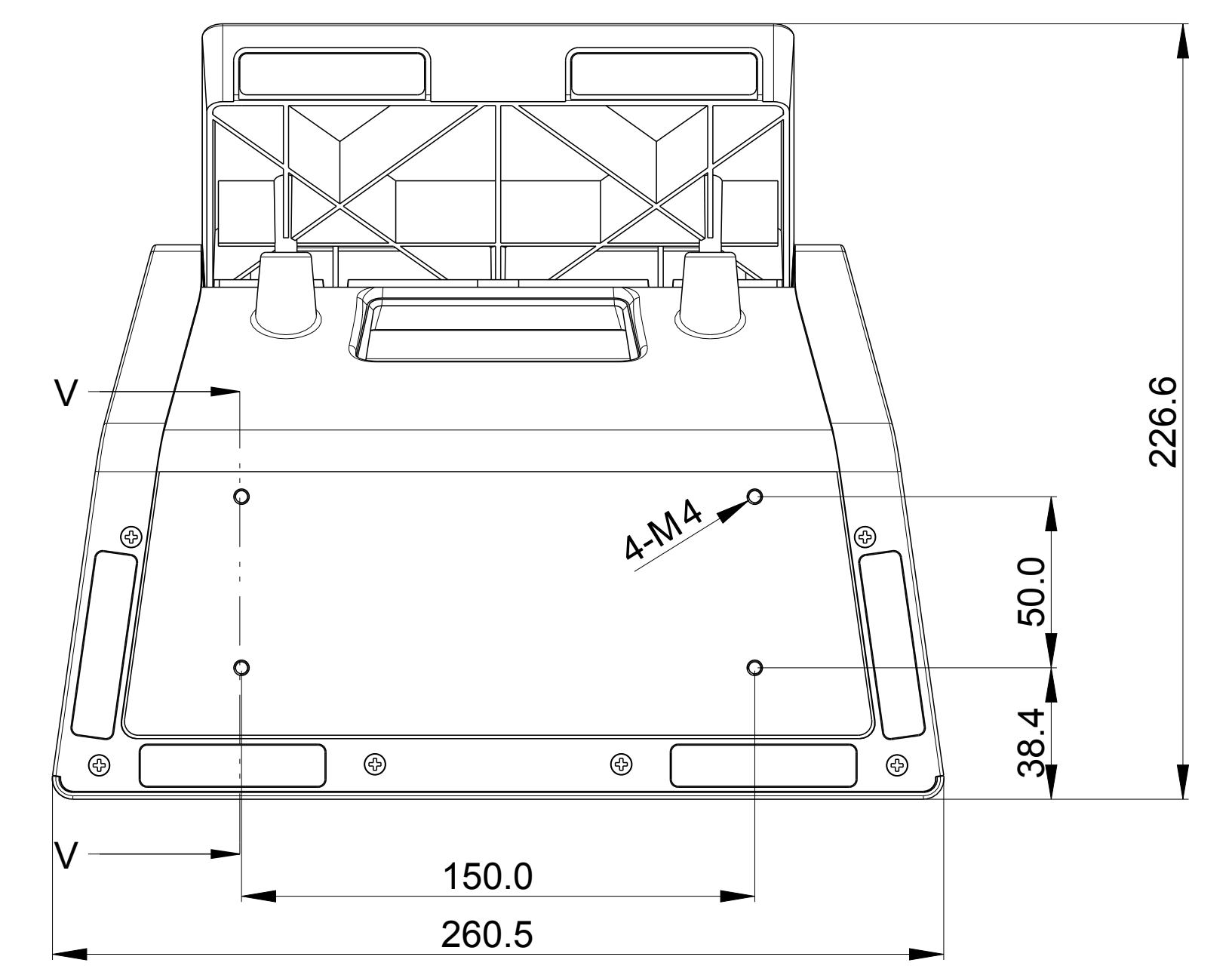
SCALE 0.6



22" SCALE 0.5



SECTION V-V



SCALE 0.6

ITEM NO.	QTY REQ'D	DRAWING OR PART NO.	DESCRIPTION	MATERIAL SPECIFICATION
PARTS LIST				
PART. NO.	UNLESS OTHERWISE SPECIFIED ALL DIMENSIONS ARE IN MILLIMETERS	DRAWN KEN NORTH	DATE 00.00.00	TITLE
METRIC	TOLERANCES ARE: DECIMALS ± 0.50 X ± 0.25 XX ± 0.13	CHECK KEN NORTH	DATE 00.00.00	DIMENSIONAL DRAWING CHOPIN 19" AND 22"
DO NOT SCALE DRAWING	ANGLES ± 1/ 2° FRACTIONS ± 1/ 32	DESIGN KEN NORTH	DATE 00.00.00	
THIRD ANGLE PROJECTION				
Pro/E prt/asm: 22C_TLA_XYU_STAND70.PRT			SIZE D	
Pro/E drw: MS601060_REV8.DRW	SCALE 1.000	SHEET 4 OF 4	DWG. NO. MS601060	REV B

DWG. NO. MS601060 REV. 4 OF 4

