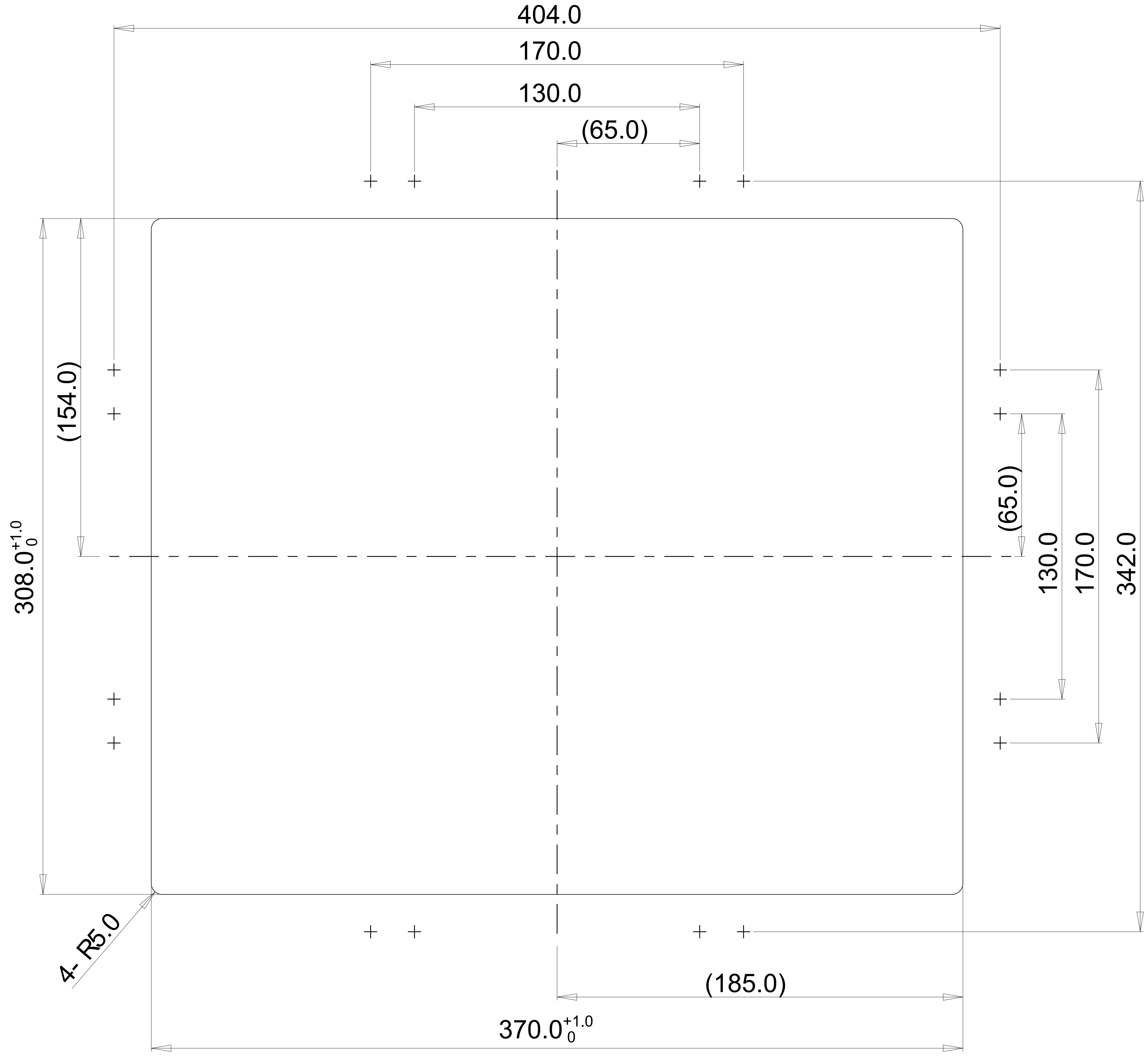


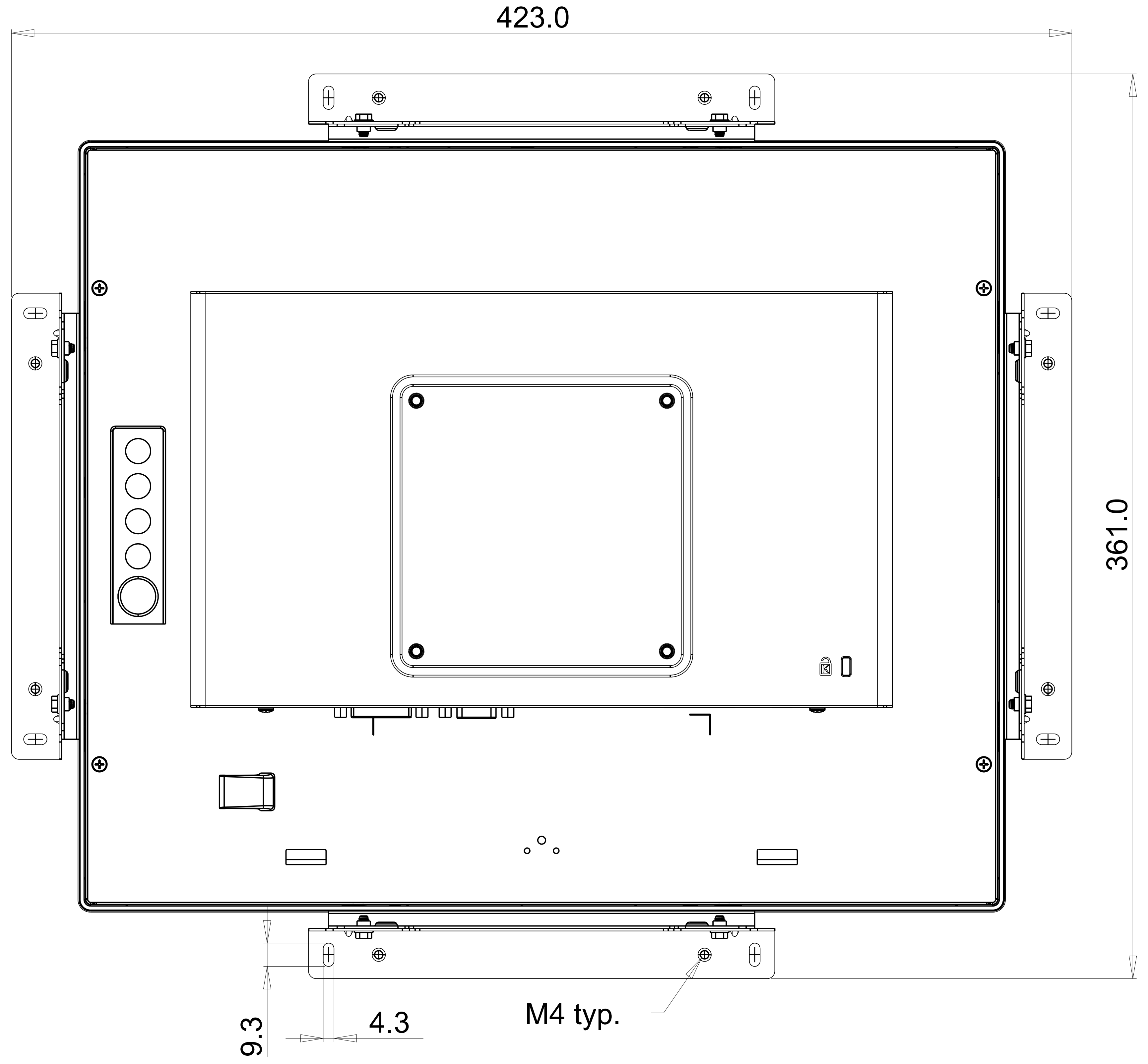
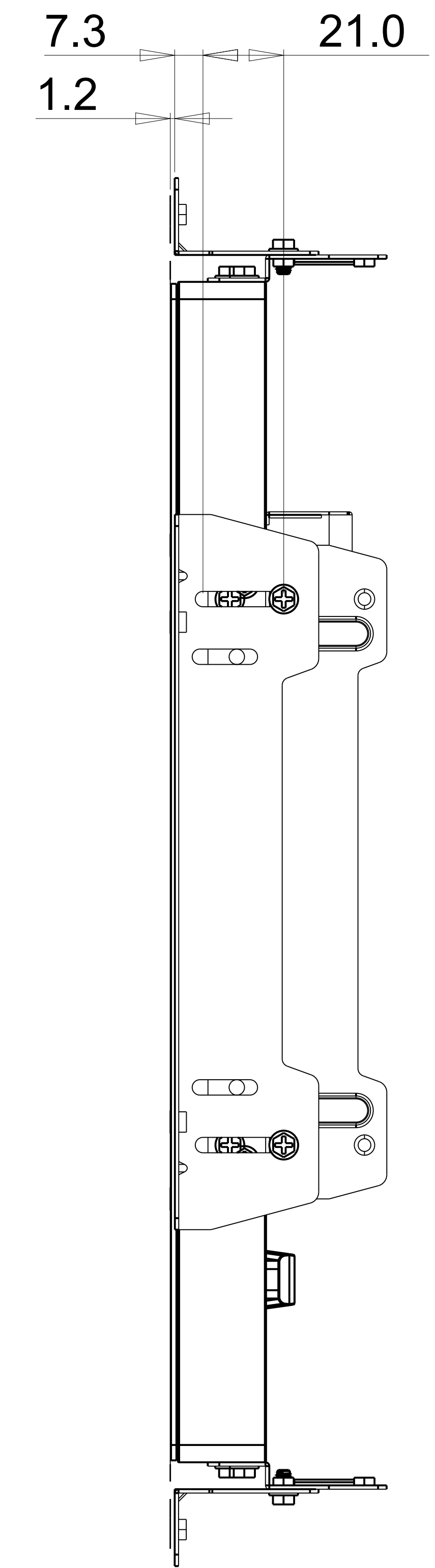
A | B | C | D | E | F | G | H | I | J | K | L | M | N

REVISIONS				
ECN	REV.	DESCRIPTION	DATE	APPROVED

RECOMMENDED CUSTOMER PANEL CUT-OUT



REAR MOUNT WITH BRACKETS, HORIZONTAL OR VERTICAL



UNLESS OTHERWISE SPECIFIED DIMENSIONS ARE IN: mm		THIS DRAWING(SPECIFICATION) IS THE PROPERTY OF TPK CORPORATION ALL RIGHTS RESERVED	
INCHES XX XXX	DECIMALS ±	METRIC 0.X 0.XX	TOLERANCES ±0.2 ±0.1
APPLICATION	APPROVALS	DATE	
THIRD ANGLE PROJECTION	DRAWN Derek	08-Apr-14	
MATERIAL	CHECKED	ISSUED	SCALE
DO NOT SCALE DRAWING			SIZE A0
			DWG. NO.
			REV A
			SCALE 1.000
			SHEET OF 2 2